

Operating Instructions

Roller Shades

Lower the Shade

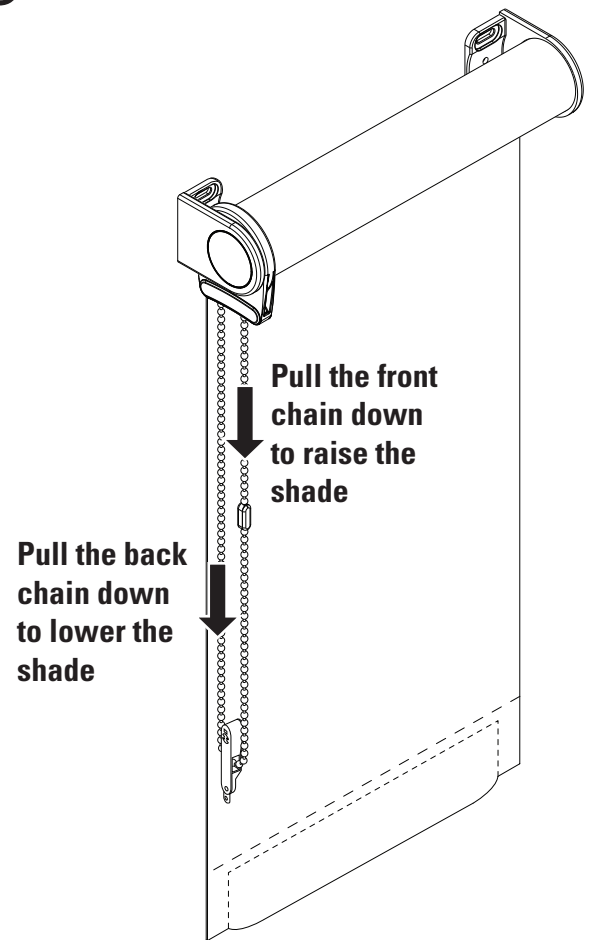
- Hold the back of the chain and pull down
- Pull until the shade is at the desired height

Raise the Shade

- Hold the front of the chain and pull down
- Pull until the shade is at the desired height

NOTE:

- If a reverse roll shade was ordered, the fabric will roll off the front of the shade
- Dual roller shades have two beaded chain loops– shades work independently of each other



Troubleshooting

- The shade raises and lowers unevenly
 - Check that the installation brackets are level and aligned. Adjust accordingly.
- The shade will not raise
 - Check that nothing is obstructing the chain or shade.
- The universal cord tensioner grabs onto the cord upon operation
 - Check that the universal cord tensioner is mounted properly. Reinstall, if necessary. If the bead chain does not move freely through the cord tensioner, it is too tight and the cord tensioner should be moved up. If the cord tensioner locks onto the bead chain, it is too loose and the cord tensioner should be moved down.