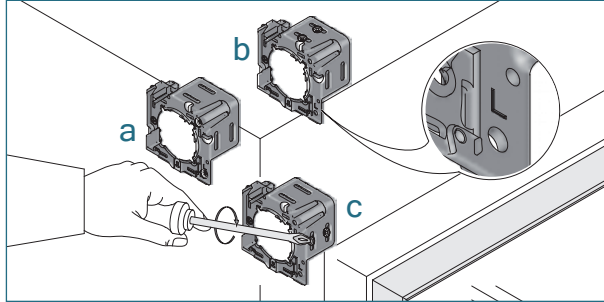
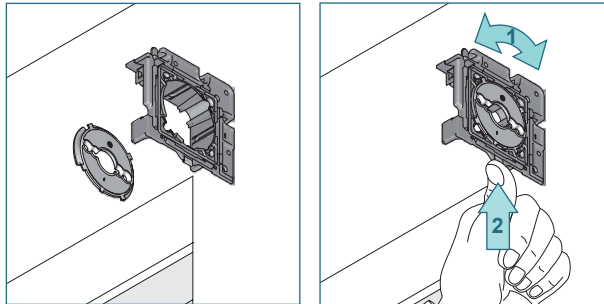


BRACKETS



1. Fix the bracket (L or R marker inside) with the screws provided.
a) in recess b) ceiling c) wall



2. Insert the Plate L into the bracket on the non-operating side. Turn the Plate L in the rolling off direction and secure it with the locking clip.
Skip this step if using bracket with leveler.

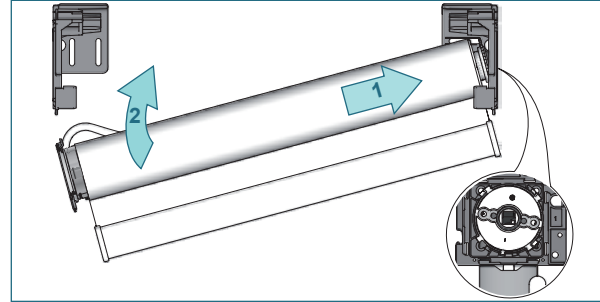
TOOLS NEEDED

- Pencil
- Measuring tape
- Phillips head screwdriver
- Flat head screwdriver
- Allen key (provided with optional leveler)

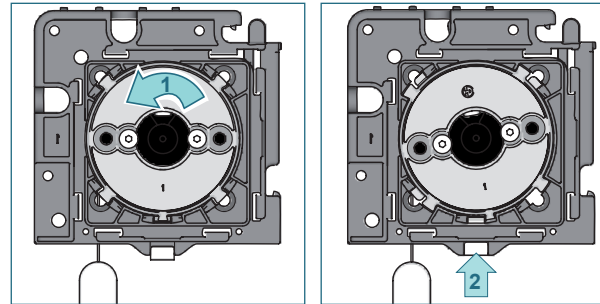
Las Vegas • Chicago
800.229.5300
HDhospitality.com

© 2016 Hunter Douglas. All rights reserved. All trademarks used herein are the property of Hunter Douglas or their respective owners.

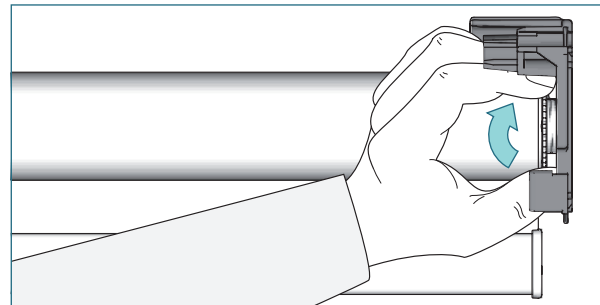
SHADE



3. Place the roller shade with the tube bearing plug onto the bracket. Push the shade against the idle end and lift the shade up...

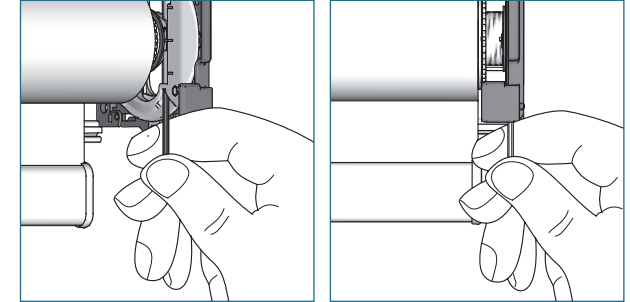


- ...until the motor front plate fits the bracket. Turn the blind approximately 10° in the rolling direction and close both fasteners of the bracket.



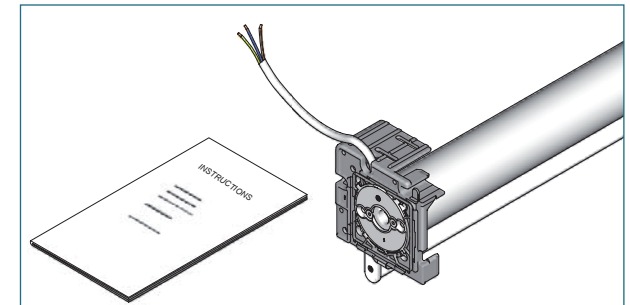
4. Fix the blind by turning the locking ring against the bearing plug.

OPTION: LEVELER



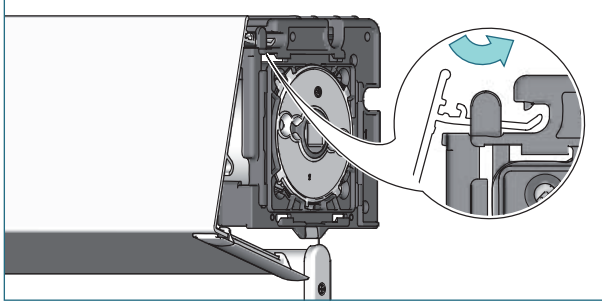
- To adjust skewing, put the provided Allen key into the screw of the leveler and turn it left or right to move the shade up or down. Support the shade with the palm of your hand if necessary.

MOTOR

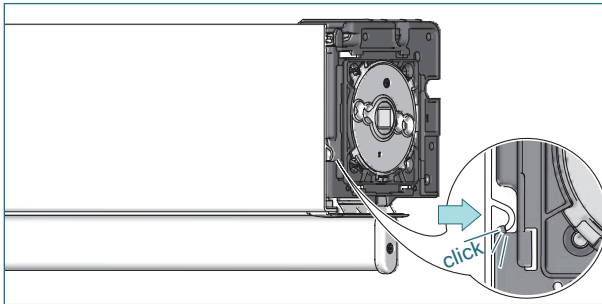


5. Connect the motor and controls in accordance with the separately provided instructions.

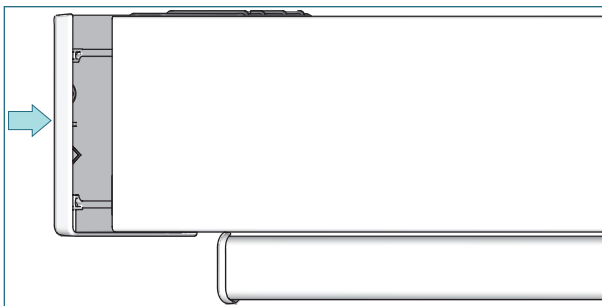
FASCIA AND END CAPS



6. Place the front fascia profile in the bracket. Make sure that the profile slides under the nose of the bracket.

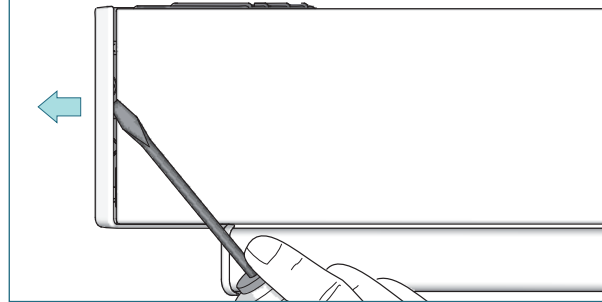


7. Push the profile to snap it into the bracket.



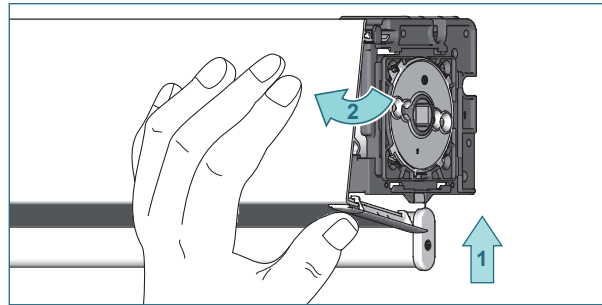
8. Slide the end caps on to the brackets.

REMOVAL

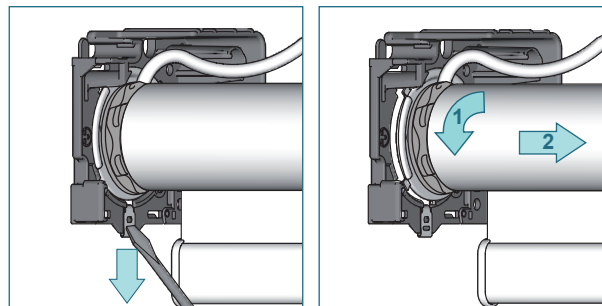


1. Disconnect power to the motor.

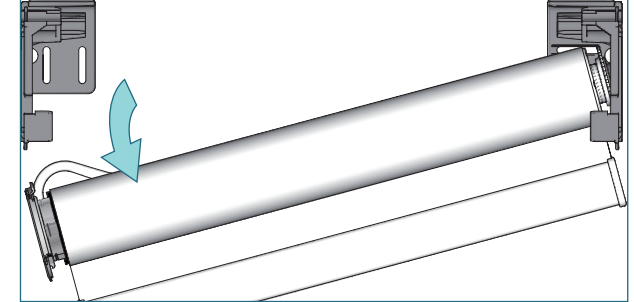
2. Place the screwdriver under the end cap on the front of the fascia, turn the screwdriver and slide the end cap from the bracket.



3. Press the bottom of the profile upwards and pull it outwards.



4. Unfasten the locking ring by placing the screwdriver into the slot of the bracket clip and pushing down. Press the bracket clip down and turn the blind in the roll-up direction. Push the shade against the tube bearing plug...



...and slide it out of the bracket and down.