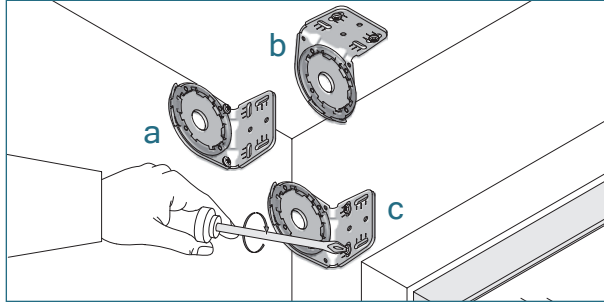
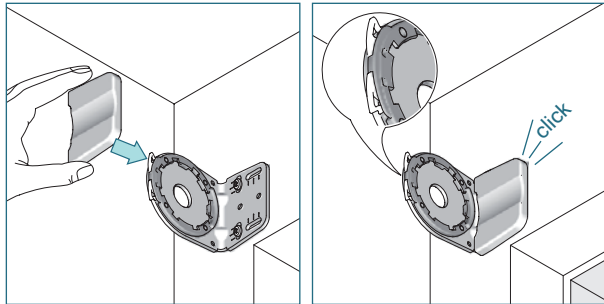


### BRACKETS



1. Fix the bracket with the screws provided.  
a) in recess b) ceiling c) wall d) in recess

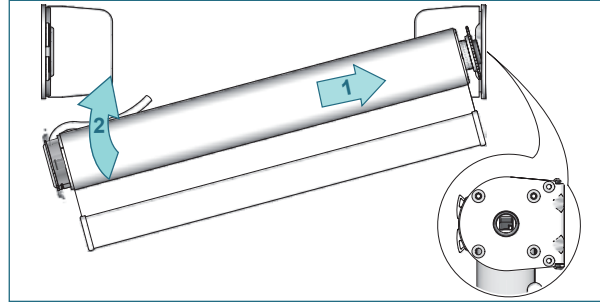


2. Slide the screw cover cap onto the bracket until it snaps. The fastener of the bracket adapter must be open.

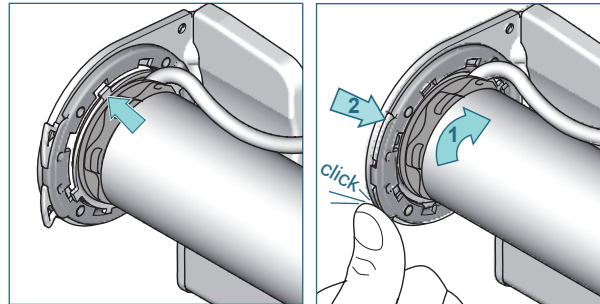
### TOOLS NEEDED

- Pencil
- Measuring tape
- Phillips head screwdriver
- Flat head screwdriver
- Allen key (provided with optional leveler)

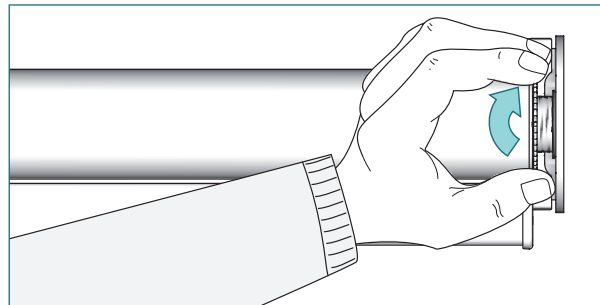
### SHADE



3. Place the roller shade with the tube bearing plug onto the bracket. Push the shade against the idle end and lift the shade up...

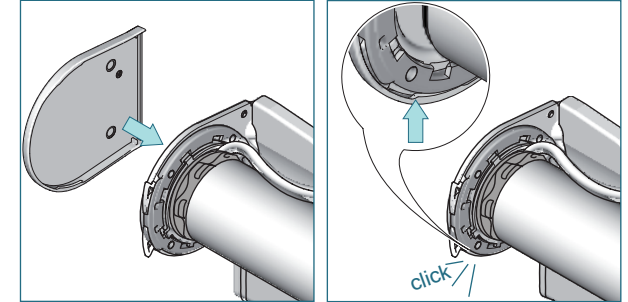


- ...until the motor front plate fits the bracket. Turn the blind approximately 10° in the rolling direction and close both fasteners of the bracket.



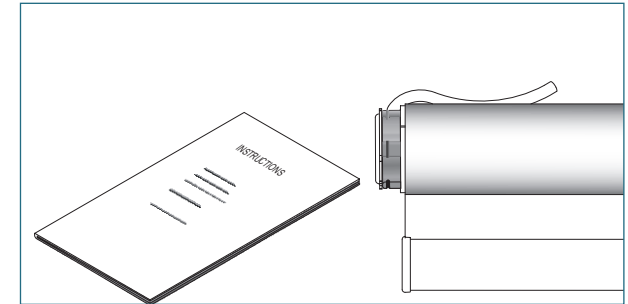
4. Fix the blind by turning the locking ring against the bearing plug.

### END CAPS



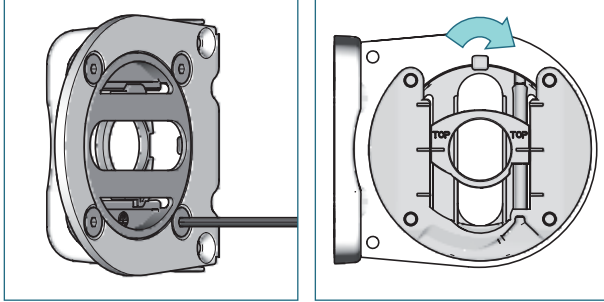
5. Slide the end caps onto the brackets. Make sure the bracket covers snap in place.

### MOTOR

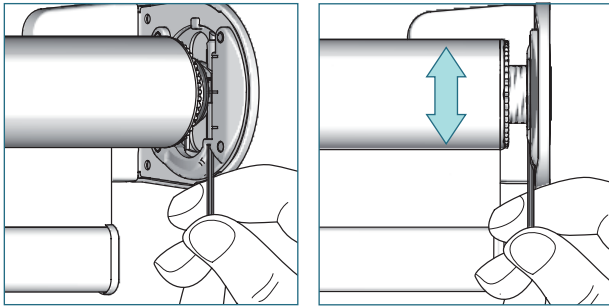


6. Connect the motor and controls in accordance with the separately provided instructions.

### OPTION: LEVELER (add on)



Make sure that the opening of the Allen key is pointing downwards before installing the brackets. Change the orientation by loosening the 4 screws (M5 x 8) and turning the leveler 90°. Fix the screws.

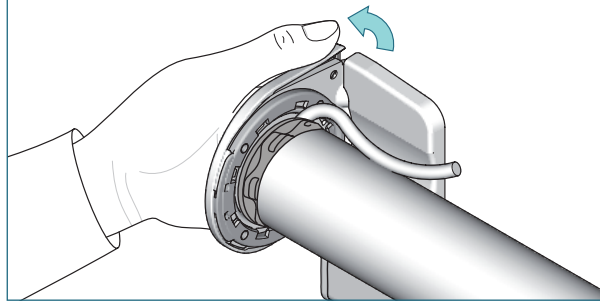


To adjust skewing, put the provided Allen key into the screw of the leveler and turn it left or right to move the shade up or down. Support the shade with the palm of your hand if necessary.

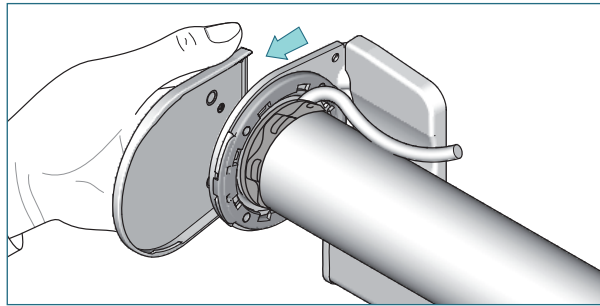
### TOOLS NEEDED

- Pencil
- Measuring tape
- Phillips head screwdriver
- Flat head screwdriver
- Allen key (provided with optional leveler)

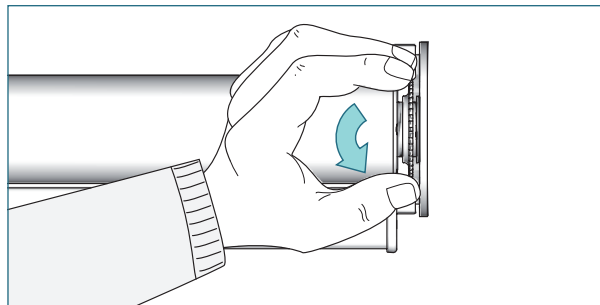
### REMOVAL



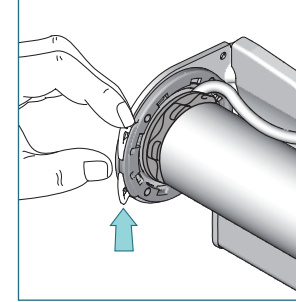
1. Disconnect power to the motor. Lift the backside of the bracket cover...



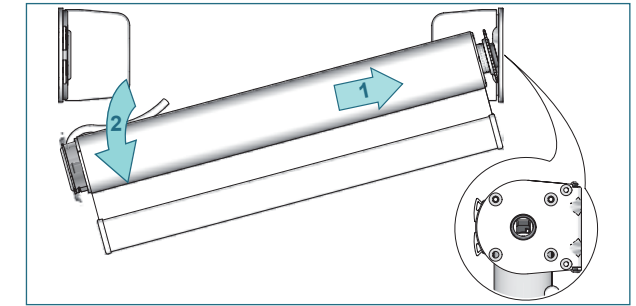
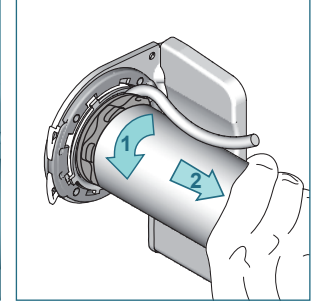
...and slide it towards you.



2. Unfasten the locking ring.



3. Open both fasteners of the bracket ring. Turn the shade in the roll up direction until the front plate gets out of the bracket ring.



4. Push the shade against the bearing and slide it out of the bracket