

RTS 409 Motor

Motorization

The ST40 brake, rotor, and gearbox are all specially designed to absorb sources of noise. An excellent choice for guest room applications.

SPECIFICATIONS

Minimum shade width **28"**

Maximum shade width **Varies based on fabric selection**

Motor connection options **Hardwired to Junction Box**
(electrician required)

Power cable **6' motor lead included**

Control options **Wireless Wall Switch**

Wireless Remote

Universal Interface

Timer

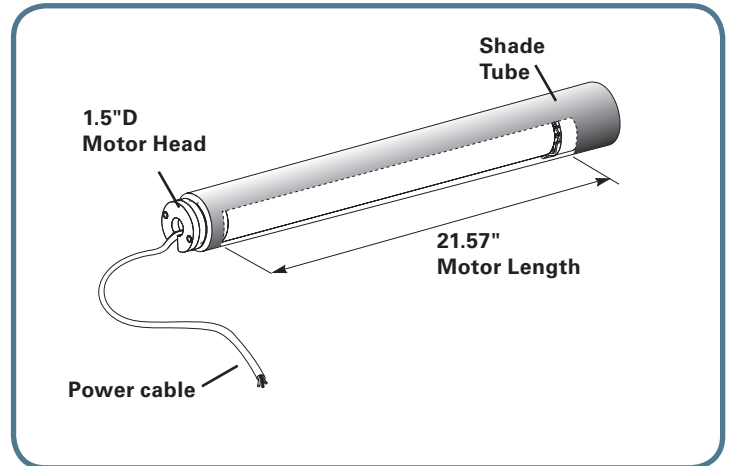
Sun sensor

120V AC, 60Hz Power Cable

3 Conductor
6' Length



DIAGRAM



**FOR OPTIMAL PERFORMANCE, THE POWER CABLE/
ANTENNA MUST BE AT LEAST 18\"**

TECHNICAL FEATURES

Voltage supply **120V AC**

Index protection rating **IP 44**

Limit switch type **Electronic (RTS)**

Limit switch capacity **250 Turns**

Temperature working range **32°F to 140°F (0°C to 60°C)**

Insulation class **Class I for 120V AC**

PERFORMANCE

Voltage **120V AC / 60Hz**

Torque **9 Nm**

Speed **14 rpm**

Amps **.98**

Thermal protection **4 minutes**

Sound Level **≤ 40 dBA**

Radio frequency control range **65ft**

NOTE

- Regulated power supply required
- Power cables are available in 3', 12', 18', and 24' upon request