

# RTS R28 Motor

## Motorization

The R28 motor is battery powered, installs in minutes, and is perfect for locations where electrical connections are not available.

### SPECIFICATIONS

Minimum Shade Width **22"**

Maximum Shade Width **Varies based on fabric selection**

Tube Sizes Available **31mm, 37mm—aluminum or steel**

Motor Component Options **Solar Battery Pack**

—10 AA NiMH rechargeable batteries included

**Battery Wand**

—8 AA lithium batteries included

**Quick disconnect plug comes standard on both options**

Power Cable **10" motor lead with quick disconnect plug**

Control Options **Wireless Wall Switch**

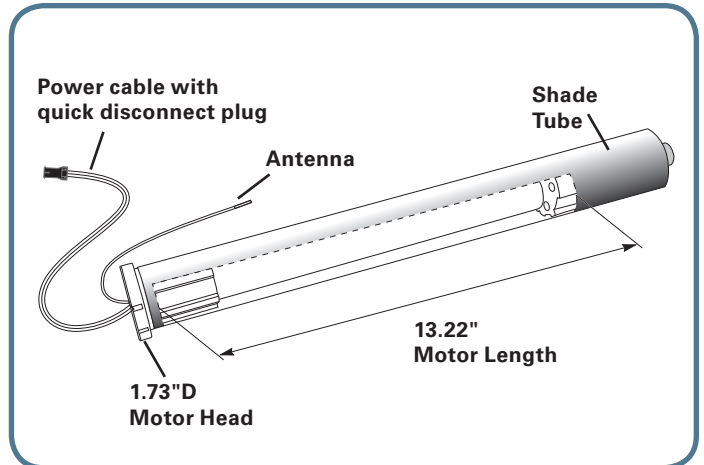
**Wireless Remote**

**Universal Interface**

**Timer**

**Sun sensor**

### DIAGRAM



**FOR OPTIMAL PERFORMANCE, THE ANTENNA MUST BE EXPOSED, SHOULD NOT COME IN CONTACT WITH METAL SURFACES, AND SHOULD NOT BE CUT.**

### TECHNICAL FEATURES

Voltage Supply **DC**

Index Protection Rating **IP 20**

Limit Switch Type **Electronic**

Limit Switch Capacity **110 Turns**

Temperature Working Range **32°F to 140°F (0°C to 60°C)**

Insulation Class **Class III**

Antenna **Radio frequency antenna wire**

—**must be exposed**

—**should not come in contact with metal surfaces**

—**should not be cut**

### NOTE

- Lithium batteries will last up to one year depending on usage
- Solar Battery Pack comes with a 5 year warranty

### PERFORMANCE

Voltage **12V DC**

Torque **1.1 Nm**

Speed **28 rpm**

Amps **2**

Thermal Protection **2.5 minutes**

Sound Level **48 dBA–56 dBA**

Radio Frequency **433.42 MHz**

Radio Frequency Control Range **65 feet**

### Solar Battery Pack

