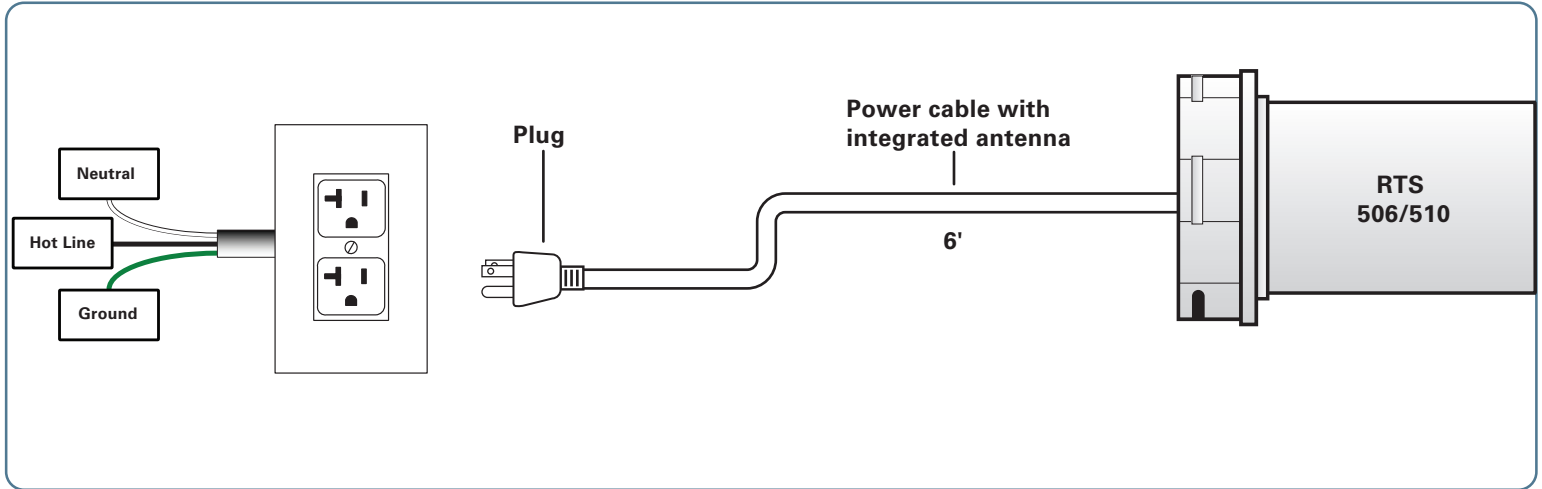


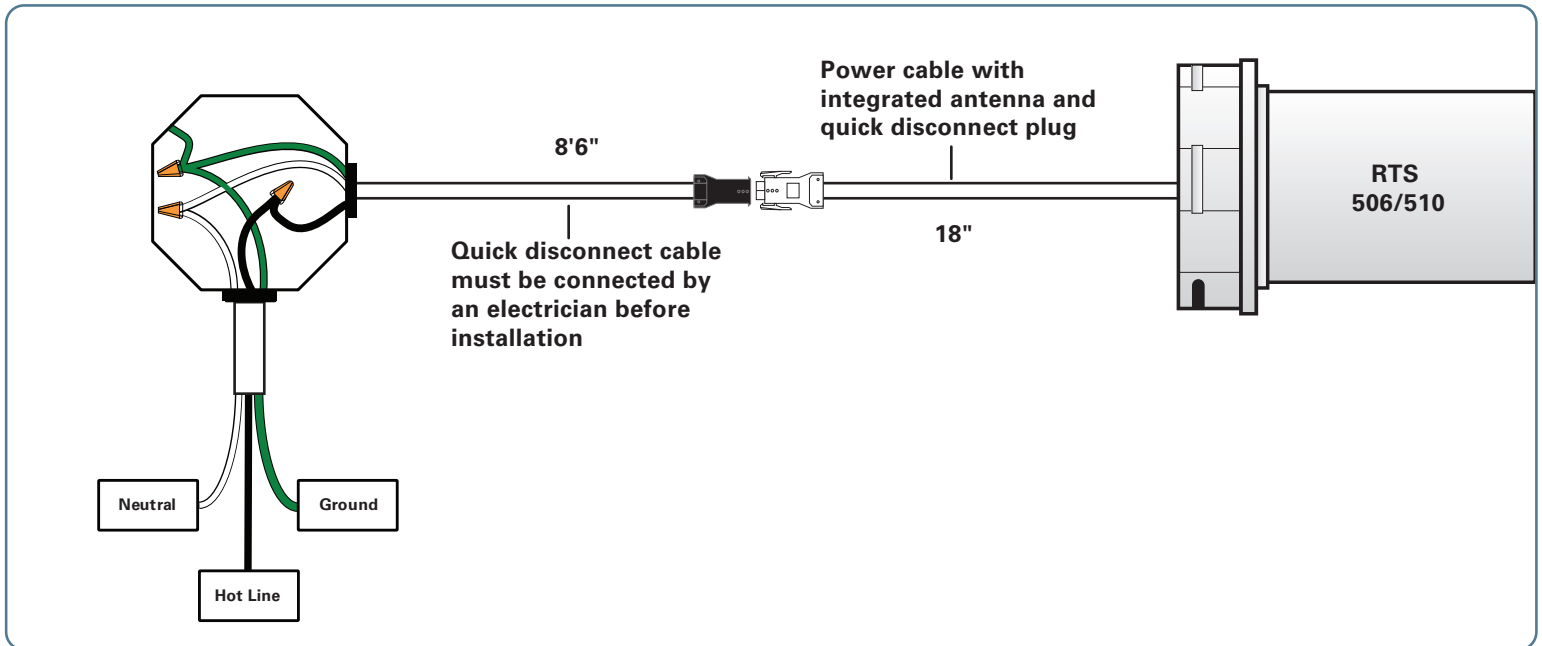
# RTS 506 and 510 Motors

## Wiring Options

### PLUG-IN



### HARDWIRED TO JUNCTION BOX (Electrician Required)



**FOR OPTIMAL PERFORMANCE, THE POWER CABLE/ANTENNA MUST BE AT LEAST 18" LONG AND MUST NOT COME IN CONTACT WITH METAL.**

For additional information please email [HDHsupport@hunterdouglas.com](mailto:HDHsupport@hunterdouglas.com) or call 800.229.5300.