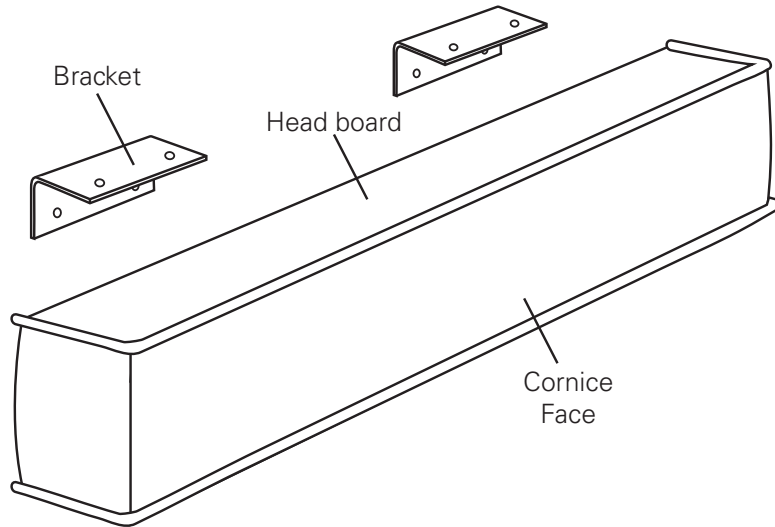


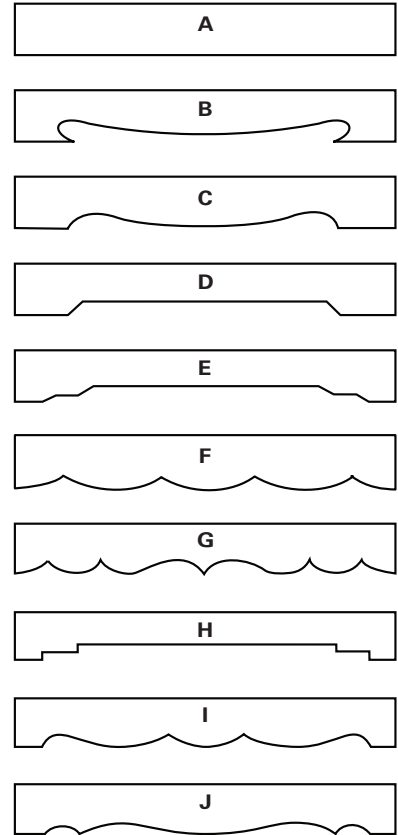
# Cornice

Fabrication

## DIAGRAM



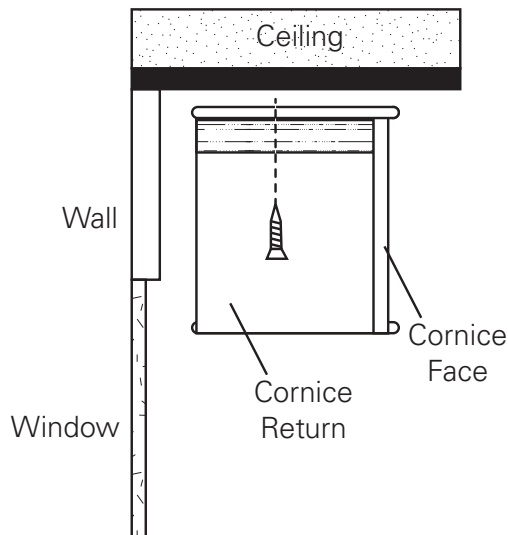
## STYLE OPTIONS



## DESIGN OPTIONS

- Banding may be added to styles A, D, and H
- Trim options and contract welting are also available
- Styles B, C, and J not recommended for lengths over 75"

## CEILING MOUNT



## WALL MOUNT

