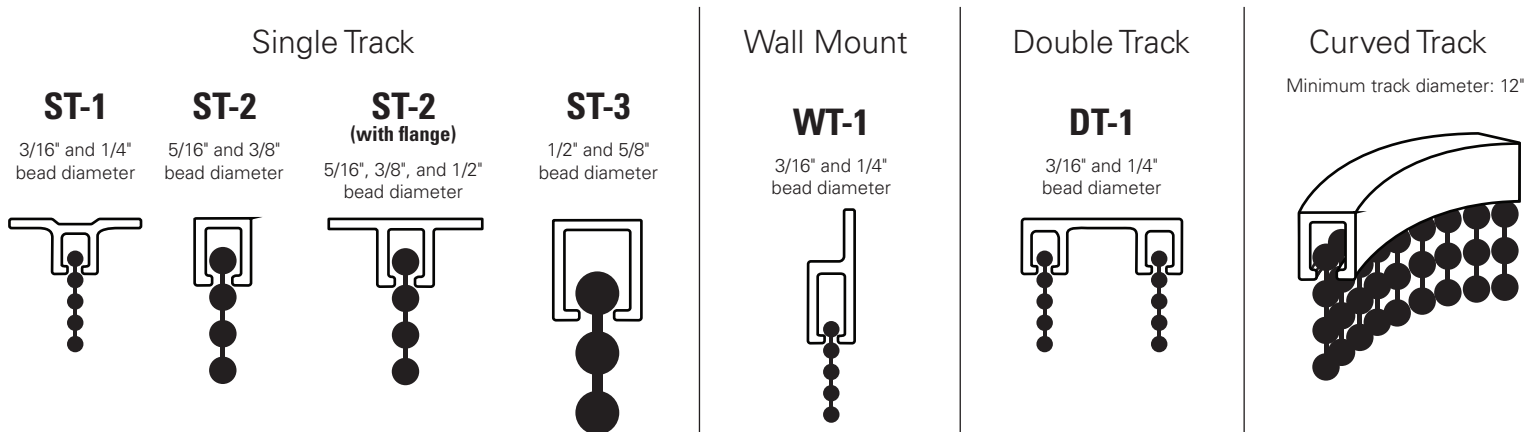


ShimmerScreen®

Installation

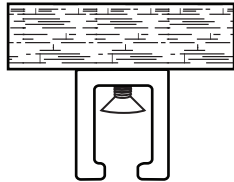
- ShimmerScreen can weigh between 1-4 lbs per square foot depending on the diameter and finish
- Suitable support must be in place prior to installation
- A general contractor will need to determine the best mounting surface and location per the project specifications.
- Installers or contractors may provide CAD files or templates for curved tracks or complex designs
- Inside mount requires a set screw to be specified
- Mounting screws are not provided
- Tracks are not pre-drilled



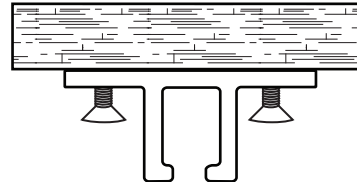
Mounting

- Drill a pilot hole through the aluminum track
- Mark hole locations in mounting surface
- Secure track to mounting surface with screws

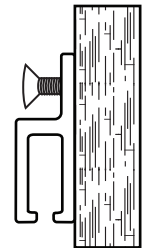
Ceiling Mount (Inside or Outside Mount)



Ceiling Mount with Flange (Inside or Outside Mount)



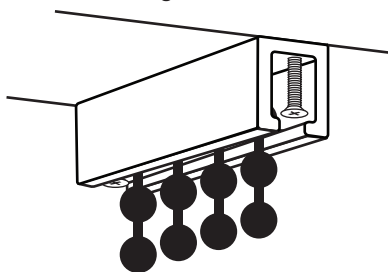
Wall Mount (Inside or Outside Mount)



Bead Installation

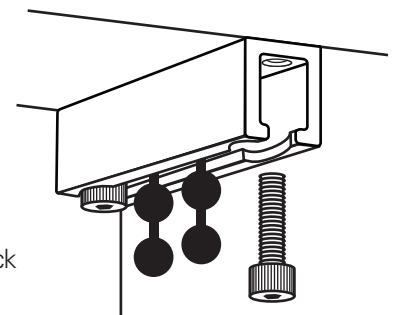
- Place a screw at the beginning of the track to keep beads secured in place (not provided for outside mount)
- Insert the last bead of each strand into the supplied track
- Place a screw at the end of the track to secure beads (not provided for outside mount)
- Beads may need to be trimmed after installed to obtain the desired length

Outside Mount (Ceiling or Wall Track)



Inside Mount with Set Screw (Set Screw Must Be Specified)

- Secure hole at the beginning of the track with the set screw provided
- Insert last bead of strand through the pre-drilled hole in bottom of track
- Secure beads in place with the set screw provided for the end of the track



Note

- Beads will not match up horizontally and may not be even at bottom due to tolerance given in manufacturing
- Hunter Douglas Hospitality does not guarantee that the product is appropriate for your application; it is the responsibility of the designer, architect, engineer, or owner to determine if ShimmerScreen is suitable for a particular application