

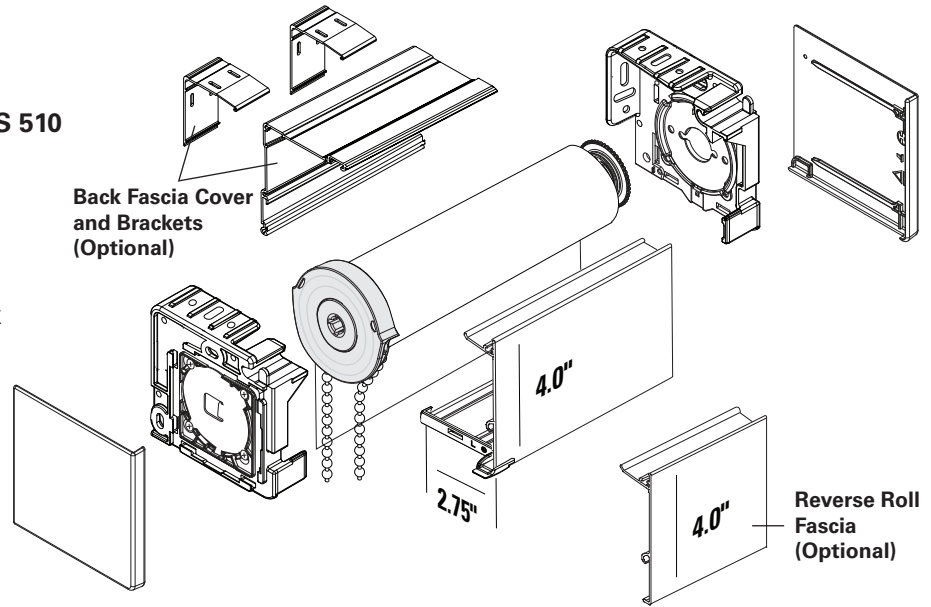
RB 500™ Heavy Duty+ Fascia, Pocket, and Blockout System

Specifications

4" Fascia

Clutch Options: **Heavy Duty+**
 Motor Options: **RTS 409, RTS 506, and RTS 510**
 Mount: **Ceiling, Wall, or End Mount**
 Max Roll Up: **3-3/4" (3.75")**
 Light gap: **Clutch Side -1"**
Idle Side -7/8" (.875)

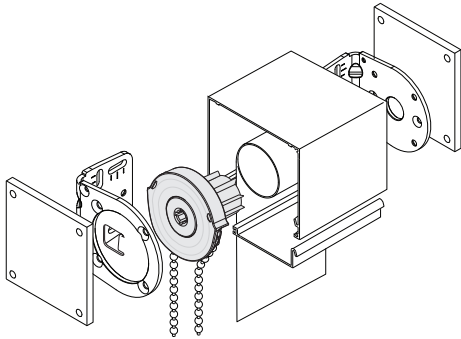
Bracket Color: **Steel**
 Bracket Cover Colors: **White, Gray, & Black**
 Fascia Colors:
Anodized Aluminum, Black, Bronze, Vanilla and White
 Options:
Back Fascia Cover with Brackets, Reverse Roll Fascia



5.25" Single Pocket

Clutch Options: **Heavy Duty+**
 Motor Options: **RTS 409, RTS 506, & RTS 510**

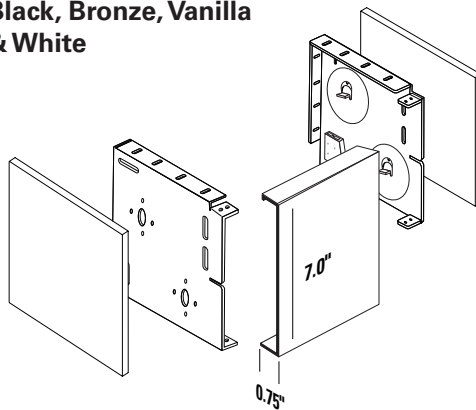
Mount: **Surface**
 Max Roll Up: **4"**
 Min Shade Width: **over 80"**
 Bottom Closure: **3"**
 Pocket & Bottom Closure Colors:
Anodized Aluminum & White



7" Dual Bracket with Fascia

Clutch Options: **Heavy Duty+**
 Motor Options: **RTS 409, RTS 506, & RTS 510**

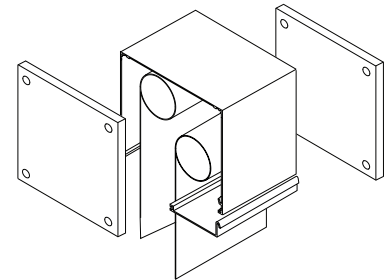
Mount: **Ceiling, Wall, or End Mount**
 Max Roll Up: **3-1/2" (3.5")**
 Fascia Colors:
Anodized Aluminum, Black, Bronze, Vanilla & White



9" Single and Dual Pocket

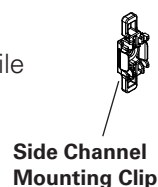
Clutch Options: **Heavy Duty+**
 Bracket Options: **Single - Heavy Duty+ Dual - 7" Dual**
 Motor Options: **RTS 409, RTS 506, & RTS 510**

Mount: **Surface**
 Max Roll Up: **Single - 7"**
 Max Roll Up: **Dual - 3-1/2" (3.5")**
 Bottom Closures: **2", 3", and 5"**
 Pocket & Bottom Closure Colors:
Anodized Aluminum & White

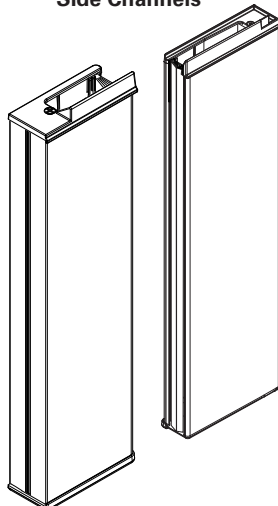


Blockout System

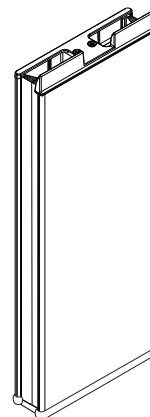
- 4" Fascia with Back Cover and Wool Pile or Pocket with Bottom Closure
- 2-1/2" (2.5") Side Channels with Wool Pile
- 4-1/4" (4.25") Middle Channel with Wool Pile
- RB 500 Bottom Bar with Wool Pile



Side Channels



Middle Channel



RB 500 Bottom Bar

