

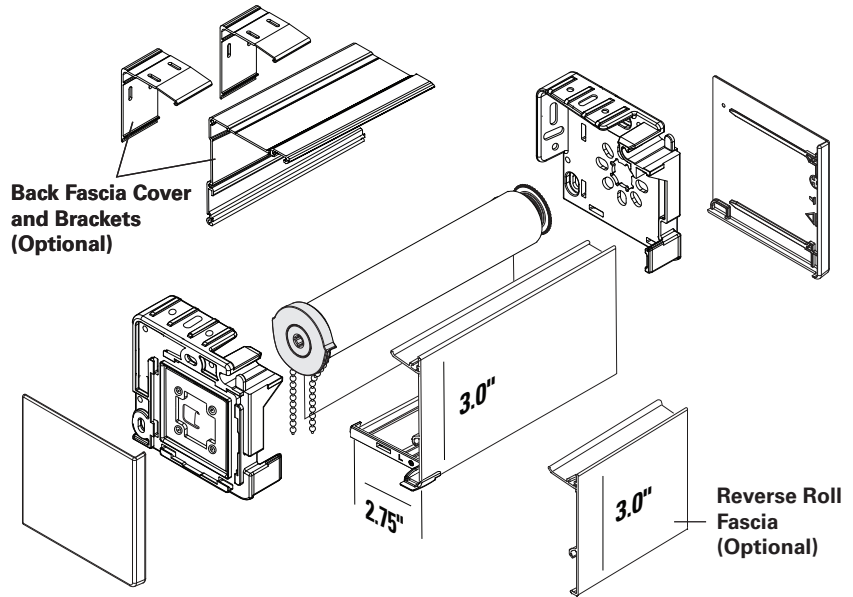
RB 500™ Standard+ Fascia, Pocket, and Blockout System

Specifications

3" Fascia

Clutch Options: **Standard+**
 Motor Options: **RTS 30**
 Mount: **Ceiling, Wall, or End Mount**
 Max Shade Width: **80"**
 Max Roll Up: **2-3/4" (2.75")**
 Light gap: **Clutch Side -7/8" (.875)**
Idle Side -5/8" (.625)

Bracket Color: **Grey**
 Bracket Cover Colors:
Black, Grey, & White
 Fascia Colors:
**Anodized Aluminum, Black,
 Bronze, Vanilla, & White**
 Options:
**Back Fascia Cover with Brackets,
 Reverse Roll Fascia**

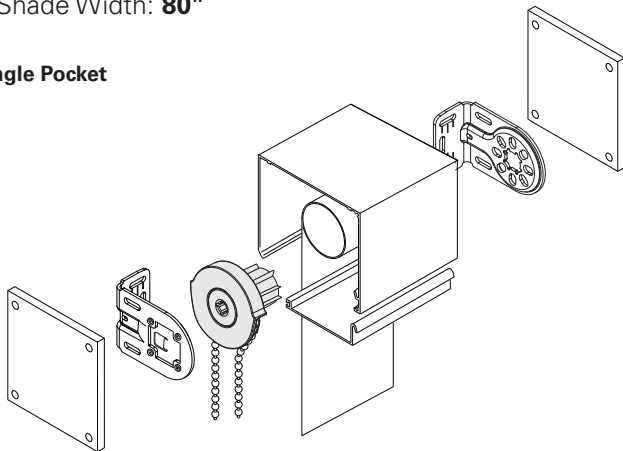


5.25" Single and Dual Pocket

Clutch Options: **Standard+**
 Motor Options: **RTS 30**
 Mount: **Surface**
 Max Shade Width: **80"**

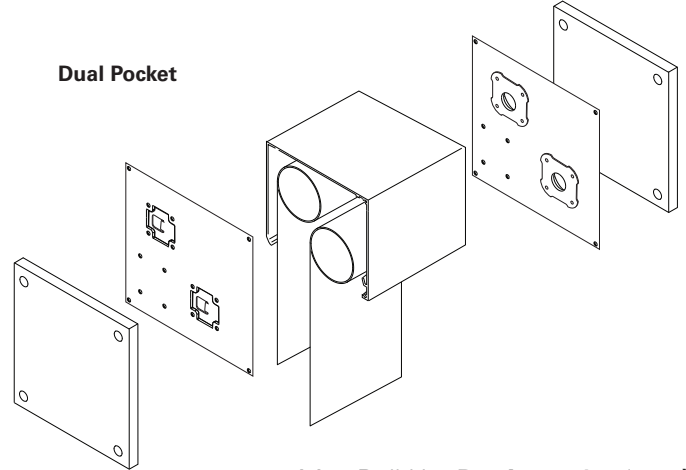
Bracket Color: **Grey**
 Bracket Cover Colors: **Black, Grey, & White**
 Pocket Colors: **Anodized Aluminum & White**

Single Pocket



Max Roll Up: **Single - 4"**

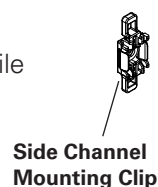
Dual Pocket



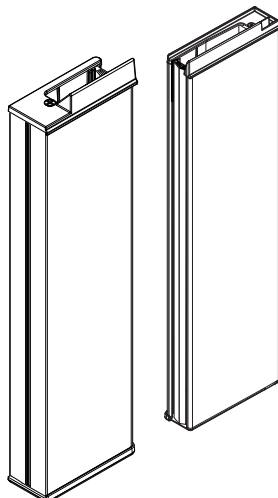
Max Roll Up: **Dual - 2-1/2" (2.5")**

Blockout System

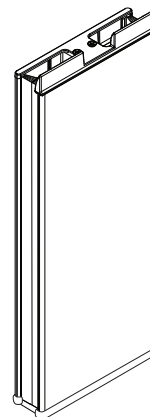
- 3" Fascia with Back Cover and Wool Pile or Pocket with Bottom Closure,
- 2-1/2" (2.5") Side Channels with Wool Pile
- 4-1/4" (4.25") Middle Channel with Wool Pile
- RB 500 Bottom Bar with Wool Pile



Side Channels



Middle Channel



RB 500 Bottom Bar

