

Classic Roman Shade - Motorized

Fabricated Products

SPECIFICATIONS

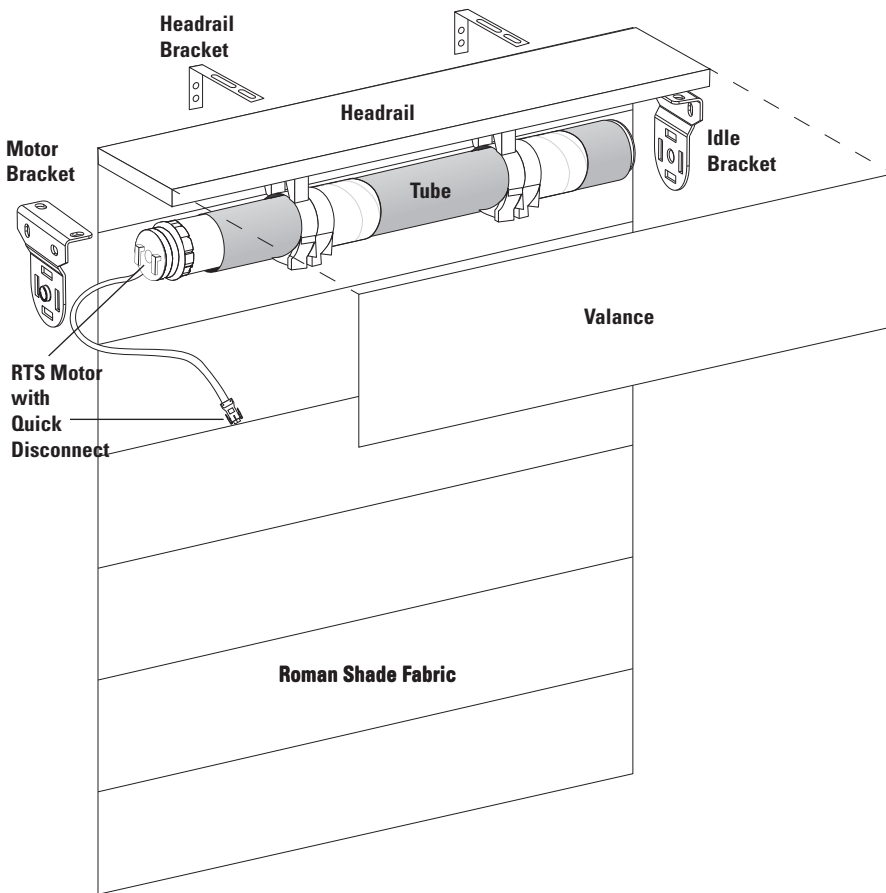
Mount: **Ceiling or Wall Mount**

Headrail Depth: **3" or 4"**, determined by the tube diameter needed

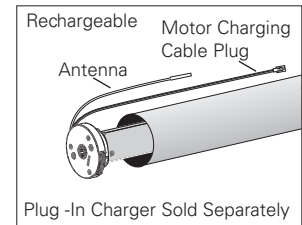
MOTOR OPTIONS

Motor	Max Lift Capacity	Tube Size	Speed	Torque
RTS 30 WireFree Rechargeable Battery	11 lbs	37 mm (1.5")	28 rpm	2 Nm
RTS 404S2 Hardwired with Quick Disconnect	35 lbs	50 mm (2")	36 rpm	4 Nm
RTS 506S2 Hardwired with Quick Disconnect or Plug-In	52.8 lbs	50 mm (2")	38 rpm	6 Nm

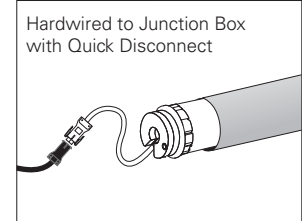
The size of the Roman Shade and the fabric weight will determine which motor will be used.



RTS 30 WireFree



RTS 404S2 (Shown to the left)



RTS 506S2

