

# RB 500™ Roller Shade Blockout Hardware



Hunter Douglas Hospitality's patented RB 500 roller shade hardware can be used in several configurations to provide a smooth transition from filtered natural light to total blackout. Find the best configuration to fit your needs.

## Key Features

- Two roller shades are required; one blackout and one sheer. Please visit [HDhospitality.com](http://HDhospitality.com) to see all the fabric options available.
- For optimal light blockage the RB 500 Blockout System (fascia, back fascia, side channels, RB 500 bottom bar) should be on the same shade.
- Every window and location is unique.

## Options

### Two Separate Shades - Front Blackout

- One of the best solutions for maximum light blockage.
- Requires 7" depth for manual or 9" depth for motorized shades with flush mount.

### Two Separate Shades - Front Sheer

- Requires 7" depth for manual or 9" depth for motorized shades with flush mount.

### 5.25" Dual Pocket

- Requires 5.5" depth for flush mount.
- Maximum shade width is 80".
- Motor options are limited.

Please contact your local sales representative to discuss specific project details.

To find your sales representative visit [HDhospitality.com](http://HDhospitality.com)

**5.25" Dual Pocket , side channels with wool pile, and RB 500 bottom bar with wool pile**

# Roller Shade Blockout Hardware - Inside Mount

## TWO SEPARATE SHADES - Front Blackout - Inside Mount

One of the best solutions for maximum light blockage.  
Requires 7" depth for manual or 9" depth for motorized flush mount.

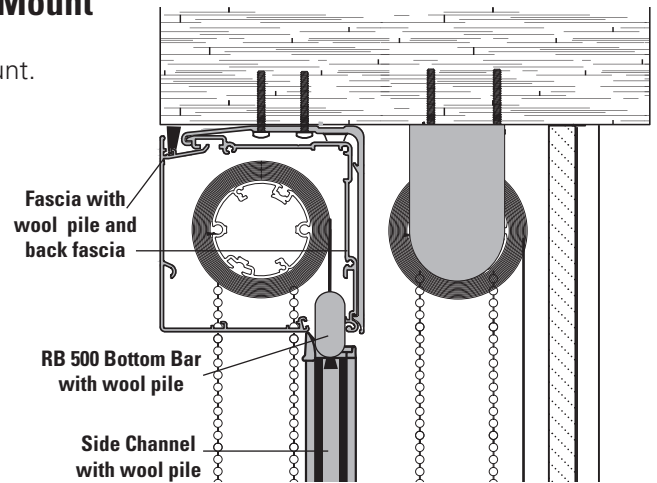
### COMPONENTS

#### FRONT SHADE - BLACKOUT (0% OPENNESS) SHADE FABRIC

- Single Shade RB 500 Blockout system
  - 3" or 4" fascia with back fascia and wool pile
  - Side channels with wool pile
  - RB 500 bottom bar with wool pile

#### BACK SHADE - SHEER SHADE FABRIC (CLOSEST TO WINDOW)

- Single Shade RB 500 Brackets



## TWO SEPARATE SHADES - Front Sheer - Inside Mount

Requires 7" depth for manual or 9" depth for motorized flush mount.

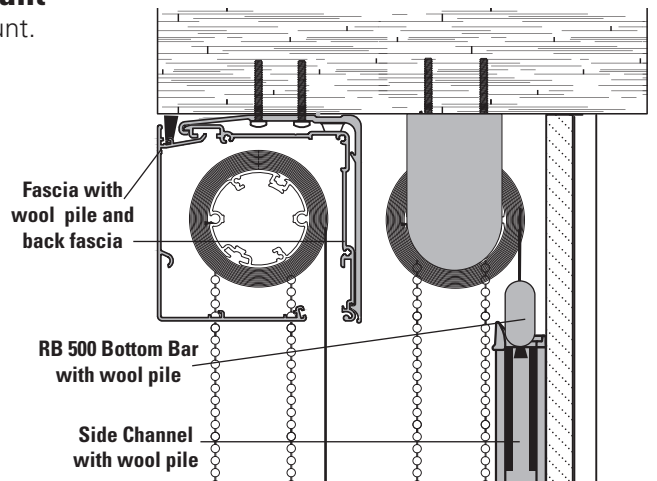
### COMPONENTS

#### FRONT SHADE - SHEER SHADE FABRIC

- Single Shade RB 500 Fascia
  - 3" or 4" fascia with back fascia and wool pile

#### BACK SHADE - BLACKOUT (0% OPENNESS) SHADE FABRIC (CLOSEST TO WINDOW)

- Single Shade RB 500 Brackets
  - Side channels with wool pile
  - RB 500 bottom bar with wool pile



## 5.25" DUAL POCKET - Inside Mount

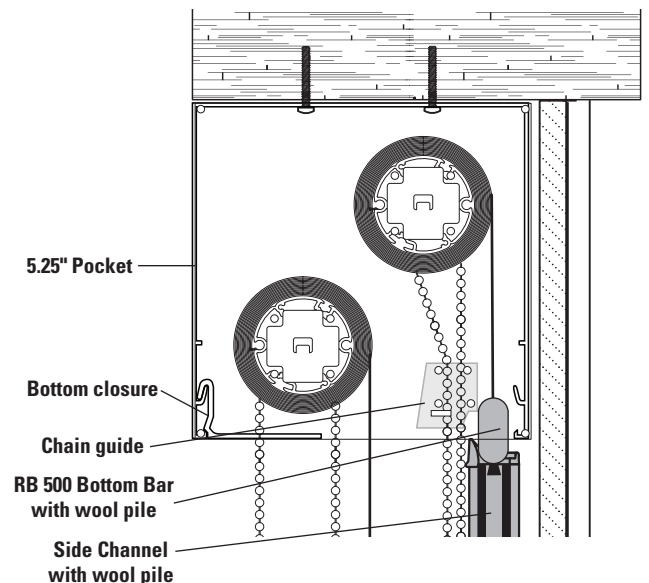
Requires 5.5" depth for manual flush mount.  
Maximum shade width is 80".  
Motor options are limited. Window sizes will need to be provided to determine what motors are in spec.

### COMPONENTS

#### FRONT SHADE - SHEER SHADE FABRIC

#### BACK SHADE - BLACKOUT (0% OPENNESS) SHADE FABRIC (CLOSEST TO WINDOW)

- 5.25" Pocket
  - Bottom closure
  - Chain guide
  - Side channels with wool pile
  - RB 500 bottom bar with wool pile



# Roller Shade Blockout Hardware - Surface/Wall Mount

## TWO SEPARATE SHADES - Front Blackout - Surface/Wall Mount

One of the best solutions for maximum light blockage. RB 500 Blockout system is mounted on the wall above and outside the window opening. Width and length needs to be added to fully cover the window opening.

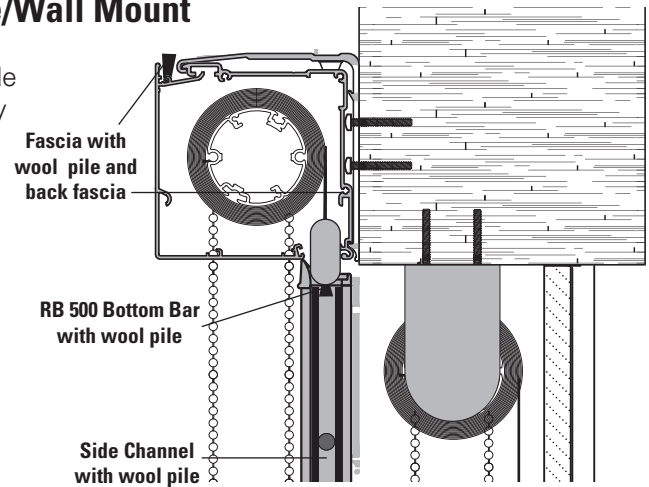
### COMPONENTS

#### FRONT SHADE - BLACKOUT (0% OPENNESS) SHADE FABRIC

- Single Shade RB 500 Blockout system
  - 3" or 4" fascia with back fascia and wool pile
  - Side channels with wool pile
  - RB 500 bottom bar with wool pile

#### BACK SHADE - SHEER SHADE FABRIC (CLOSEST TO WINDOW)

- Single Shade RB 500 Brackets



## TWO SEPARATE SHADES - Front Sheer - Surface/Wall Mount

The front sheer roller shade is mounted reverse roll above the window opening. Width and length needs to be added to fully cover the window opening.

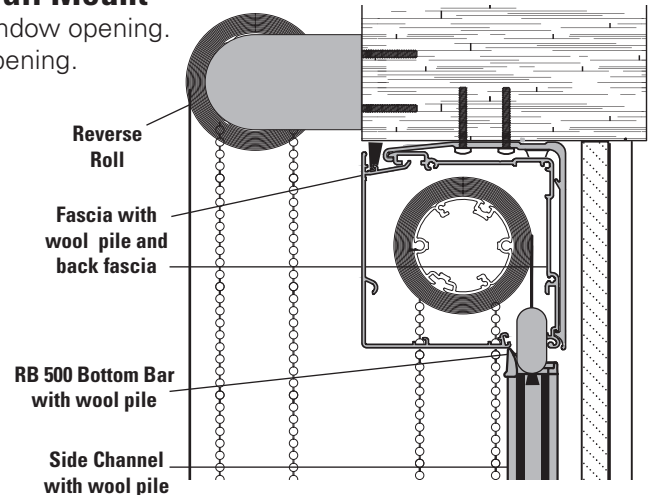
### COMPONENTS

#### FRONT SHADE - SHEER SHADE FABRIC - REVERSE ROLL

- Single Shade RB 500 Bracket

#### BACK SHADE - BLACKOUT (0% OPENNESS) SHADE FABRIC (CLOSEST TO WINDOW)

- Single Shade RB 500 Blockout system
  - 3" or 4" fascia with back fascia and wool pile
  - Side channels with wool pile
  - RB 500 bottom bar with wool pile



## 5.25" DUAL POCKET - Surface/Wall Mount

Width and length needs to be added to fully cover the window opening.

Maximum shade width is 80".

Motor options are limited. Window sizes will need to be provided to determine what motors are in spec.

### COMPONENTS

#### FRONT SHADE - SHEER SHADE FABRIC

#### BACK SHADE - BLACKOUT (0% OPENNESS) SHADE FABRIC (CLOSEST TO WINDOW)

- 5.25" Pocket
  - Bottom closure
  - Chain guide
  - Side channels with wool pile
  - RB 500 bottom bar with wool pile

