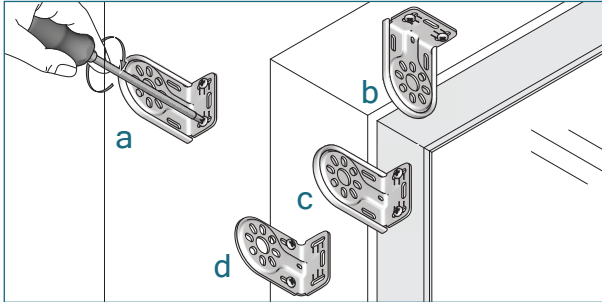


RB 500™

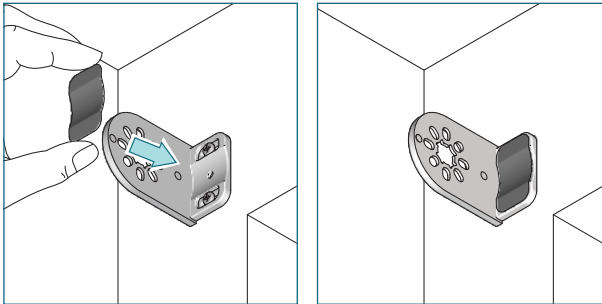
Roller Shades

Motorized Shade Installation RTS R28, RTS 30, RTS 409 Motors

BRACKETS



1. Fix the bracket with the screws provided.
a) on face wall b) ceiling c) on frame d) in recess



When using architectural brackets, slide the screw cover cap onto the bracket until it snaps.

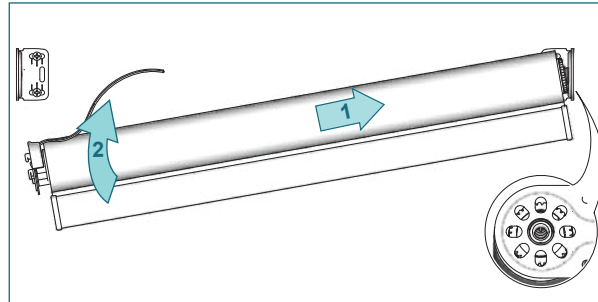
TOOLS NEEDED

- Pencil
- Measuring tape
- Phillips head screwdriver
- Flat head screwdriver
- Allen key (provided with optional leveler)

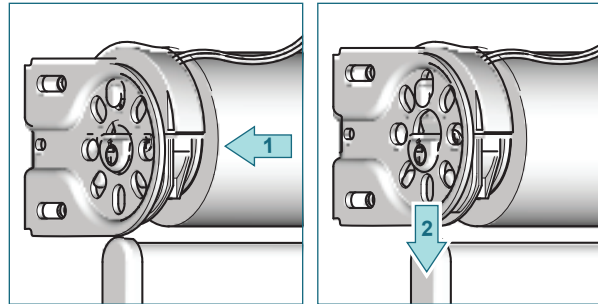
Las Vegas • Chicago
800.229.5300
HDhospitality.com

© 2016 Hunter Douglas. All rights reserved. All trademarks used herein are the property of Hunter Douglas or their respective owners.

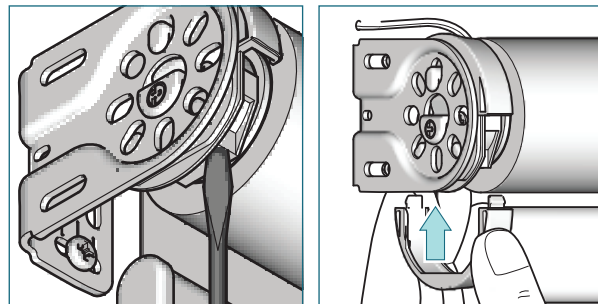
SHADE



2. Place the roller shade with the idle end onto the bracket. Push the shade against the idle end and lift the roller shade up...

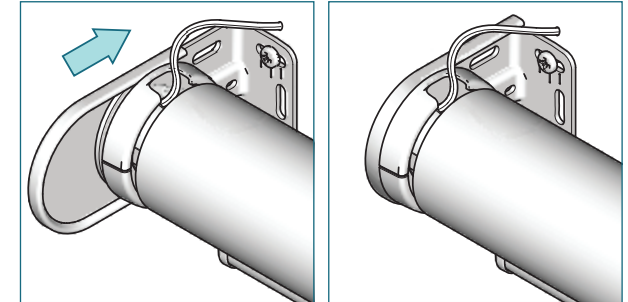


...until the motor front plate fits the bracket. Press the shade with the motor front plate down.

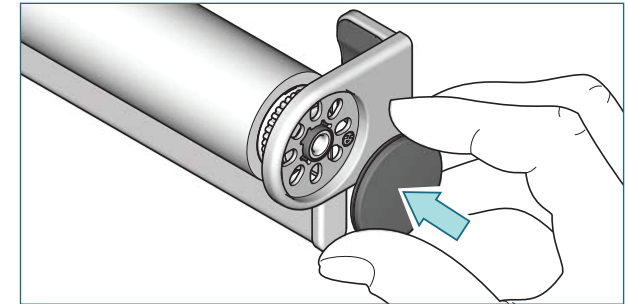


3. Connect and adjust the motor and controls in accordance with separately provided motor instructions. Snap the cover into the front plate.

END CAPS



4. Slide the end caps onto the brackets.



If using the architectural bracket, press the end cap in place.

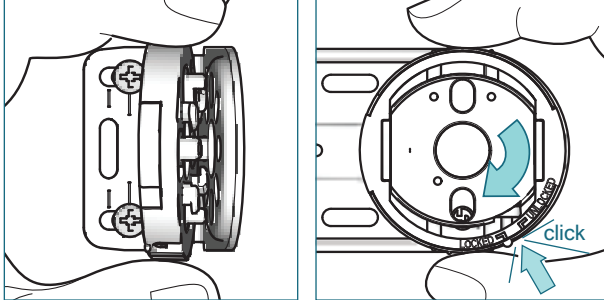
HunterDouglas 
Hospitality

RB 500™

Roller Shades

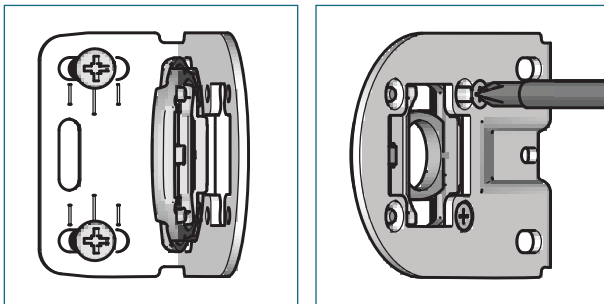
Motorized Shade Installation RTS R28, RTS 30, RTS 409 Motors

OPTION 1: LEVELER (add on)

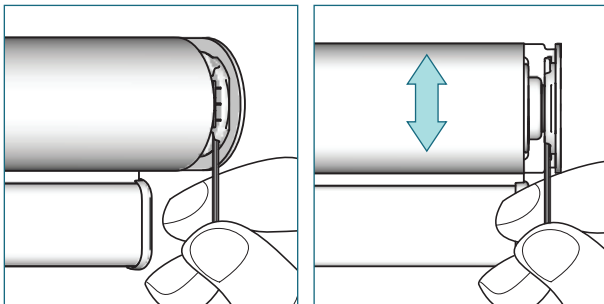


Place the leveler on the idle end side of the bracket. Make sure that the opening for the Allen key is pointing downwards. Turn the leveler until it clicks.

OPTION 2: LEVELER (integrated)

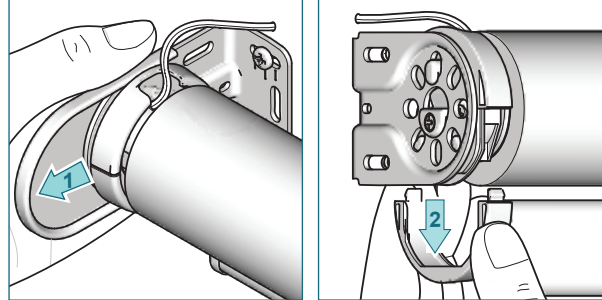


Make sure that the opening for the Allen key is pointing downwards before installing the brackets. Change the orientation by loosening the two screws (M3x6) and turning the leveler 90°. Fix the screw.

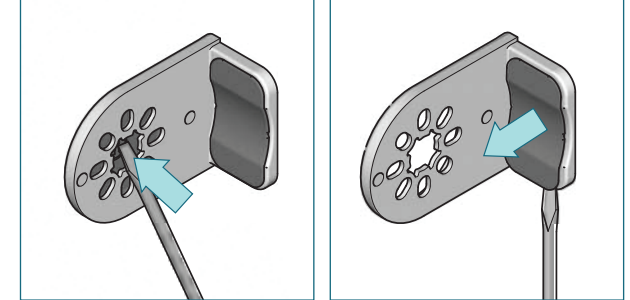


To adjust skewing, put the provided Allen key into the screw of the leveler and turn it left or right to move the shade up or down. Support the shade with the palm of your hand if necessary.

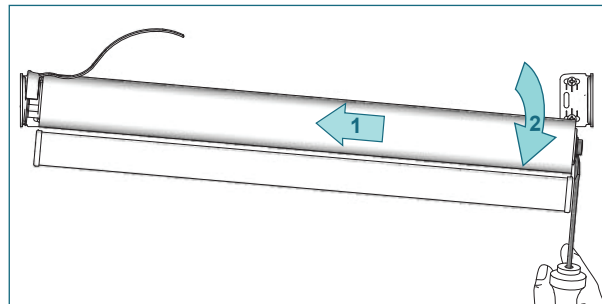
REMOVAL



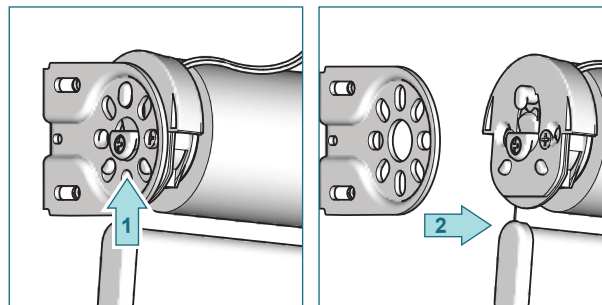
1. Slide the end cap towards you. Disconnect the motor. Remove the cover from the motor front plate.



For the architectural bracket, use the screw driver to press the end cap out and remove the screw cover cap.



2. Slide the screwdriver between the idle end plug and bracket and push the idle end in the motor direction. Move the shade downwards out of the bracket.



3. Lift the motor front plate up and out of the bracket.