

### TOOLS NEEDED



Pencil



Measuring Tape



Level



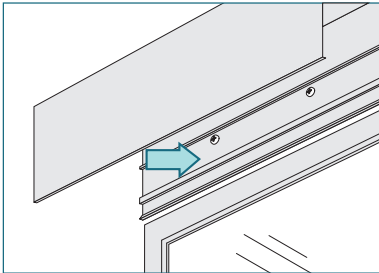
Drill with bits



Screwdriver

### INSTALLING A POCKET

#### SURFACE/WALL MOUNT

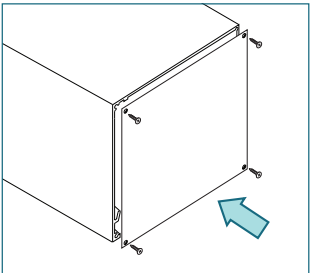


Mount into wood or metal studs or into concrete with concrete anchors. Drywall anchors are not recommended.

Determine the mounting location.

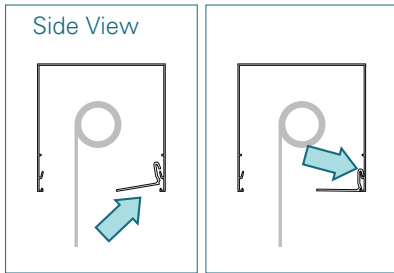
Pre-drill the pocket. Mount in place.

#### END PLATES



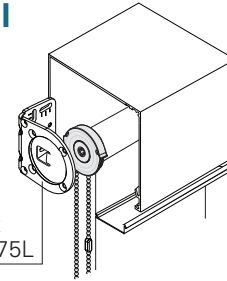
Use a screwdriver to attach the end plates with the screws provided.

#### BOTTOM CLOSURES



Tilt the bottom closure inside the front edge of the pocket until the closure catches on the inside ledge.

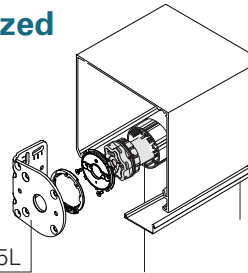
#### Manual Single Shade



Manual Bracket 55L or 75L

Surface Mounted  
Use bracket and shade instructions for Standard+ & Heavy Duty+ Manual

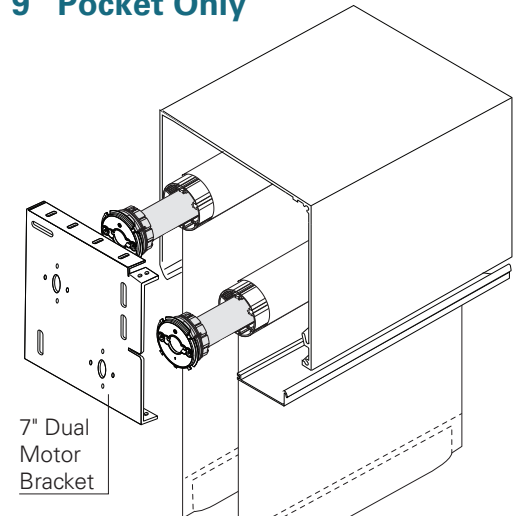
#### Motorized Single Shade



Motor Bracket 55L or 75L

Surface Mounted  
Use bracket and shade instructions for RB 500 Heavy Duty Bracket Motorized

#### Dual Shade 9" Pocket Only



7" Dual Motor Bracket

Surface Mounted  
Use bracket and shade instructions for Heavy Duty+ 7" Dual Bracket Motorized or Manual