

# Standard 404 and 406 Motors

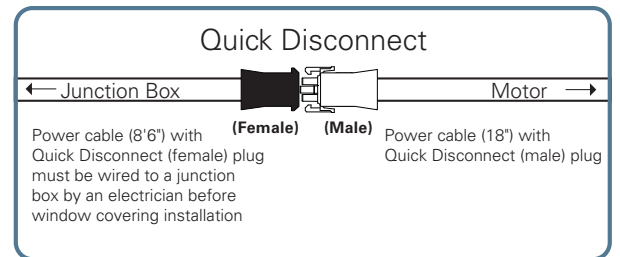
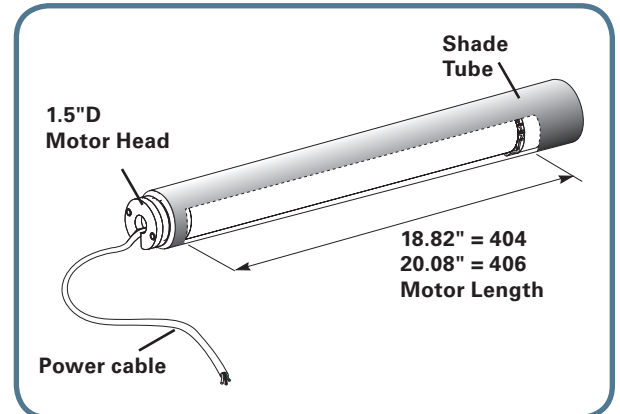
## Motorization

The Standard 404 and 406 Motors' brake, rotor, and gearbox are all specially designed to absorb sources of noise. An excellent choice for guest room applications.

### SPECIFICATIONS

	404	406
Minimum Shade Width	28"	28"
Maximum Shade Width	<b>Varies based on shade fabric weight</b>	
Tube Size Available	<b>50mm, 62mm</b>	
Motor Component Options (available with both models)	<b>Hardwired to Junction Box (electrician required)</b> —Quick Disconnect plug optional	
Power Cable with Plug Quick Disconnect Cables	<b>6'6" cable standard</b>	
Control Options	<b>Wired AC Controls and Switches Maintained Paddle Switch Individual Group Control (IGC) 4n1 Controller with DecoFlex Dry Contact keypad (IGC provides individual or group control for up to 4 motors with up to three intermediate positions per motor, preset on a DecoFlex Dry Contact Keypad)</b>	

### DIAGRAM



### TECHNICAL FEATURES

	404/406
Voltage Supply	<b>120V AC</b>
Index Protection Rating	<b>IP 44 (interior use)</b>
Limit Switch Type	<b>Progressive Adjustment (PA)</b>
Limit Switch Capacity	<b>40 Turns</b>
Temperature Working Range	<b>32°F to 140°F (0°C to 60°C)</b>
Insulation Class	<b>Class 1 for 120V AC</b>

### PERFORMANCE

	404	406
Voltage Supply	<b>120V AC, 60Hz</b>	
Torque	<b>4 Nm</b>	<b>6 Nm</b>
Speed	<b>36 rpm</b>	<b>24 rpm</b>
Amps	<b>.95</b>	<b>1.2</b>
Thermal Protection	<b>4 minutes</b>	
Sound Level*	<b>≤ 42 dBA</b>	<b>≤ 444 dBA</b>

**Wired 120V AC, 60Hz Power Cable**  
4 Conductor  
6'6" Length—(standard)



\*Sound level: According to standards ISO 3741 NF 31022 in dBA ref 1pW at nominal torque without end product.

### NOTE

- Regulated power supply required
- Some states may require the wiring to be housed in conduit—check local electrical codes