

# Sonesse 30 WireFree RTS Motor

## Motorization

The RTS 30 WireFree motor has a built-in, rechargeable lithium-ion battery to minimize maintenance, and eliminate the need to install and replace batteries.

### SPECIFICATIONS

Minimum shade width **30"**  
 Maximum shade width **120"**  
 Maximum weight **11 lbs**  
 Motor connection **Built-in Rechargeable Battery** Power connector **10" Motor Charging Cable Plug** Control options  
**Wireless Wall Switch**  
**Wireless Remote**  
**Universal Interface**  
**Timer**  
**Sun Sensor**  
**mylink™ RTS Smartphone and Tablet Interface**  
**voice controlled with Amazon Alexa**

### TECHNICAL FEATURES

Voltage supply **12V DC**  
 Index protection rating **IP 20**  
 Limit switch type **Electronic**  
 Temperature working range **32°F to 140°F (0°C to 60°C)**  
 Insulation class **Class III**  
 Antenna **Must not come in contact with metal**  
**May need to be repositioned for optimal range**

### PERFORMANCE

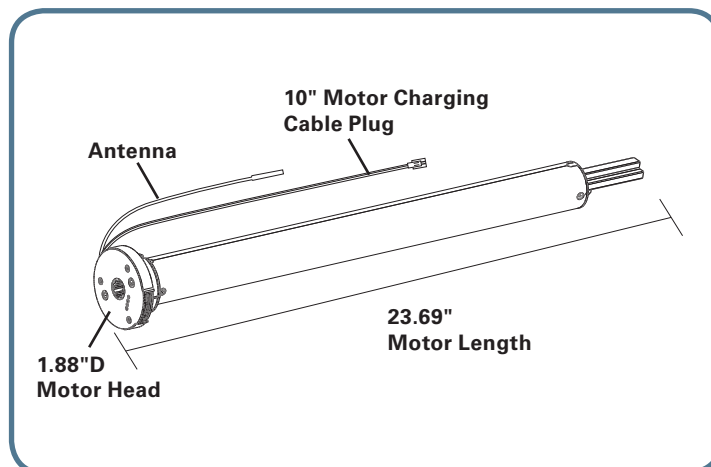
Voltage **12V DC**  
 Torque **2 Nm**  
 Speed **10-28 rpm (programmable)**  
 Sound Level **44 dBA**  
 Low Battery Indicator **LED**  
 Radio Frequency **433.42 MHz**  
 Radio frequency control range **65ft**

### NOTE

- Regulated power supply required to connect charger
- Charging takes approximately 2-3 hours
- Regularly scheduled battery re-charging is recommended annually for optimum performance
- Frequency of charging required will vary by usage and size/weight of shade

**mylink™ is a registered trademark of Somfy.**

### DIAGRAM



**FOR OPTIMAL PERFORMANCE, THE ANTENNA WIRE MUST BE EXPOSED AND NOT COME IN CONTACT WITH METAL SURFACES. DO NOT CUT ANTENNA WIRE. REPOSITION AS NECESSARY.**

### PLUG-IN CHARGER

- Eliminates the need to install or replace batteries
- Connect charger to the charging cable that is attached to the motor, then plug into a regulated power supply
- Charger comes standard with a 6ft cable
- 8ft cable extension for charger available upon request

