

# Sonesse 40 RTS Motor

## Motorization

The Sonesse 40 RTS brake, rotor, and gearbox are all specially designed to absorb sources of noise. An excellent choice for guest room applications.

### SPECIFICATIONS

Minimum shade width **28"**

Maximum shade width **Varies based on fabric selection**

Motor connection options **Hardwired to Junction Box**  
(electrician required)

Power cable **6' motor lead included**

Control options **Wireless Wall Switch**

**Wireless Remote**

**Universal Interface**

**Timer**

**Sun sensor**

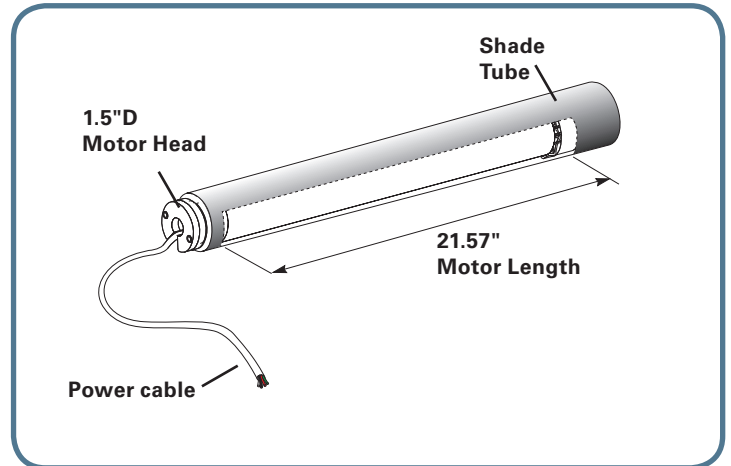
**mylink™ RTS Smartphone and Tablet  
Interface, voice controlled  
with Amazon Alexa**

#### 120V AC, 60Hz Power Cable

3 Conductor  
6' Length



### DIAGRAM



**FOR OPTIMAL PERFORMANCE, THE POWER CABLE/  
ANTENNA MUST BE AT LEAST 18\"**

### TECHNICAL FEATURES

Voltage supply **120V AC**

Index protection rating **IP 44**

Limit switch type **Electronic (RTS)**

Limit switch capacity **250 Turns**

Temperature working range **32°F to 140°F (0°C to 60°C)**

Insulation class **Class I for 120V AC**

### PERFORMANCE

Voltage **120V AC / 60Hz**

Torque **9 Nm**

Speed **14 rpm**

Amps **.98**

Thermal protection **4 minutes**

Sound Level **≤ 40 dBA**

Radio frequency control range **65ft**

### NOTE

- Regulated power supply required
- Power cables are available in 3', 12', 18', and 24' upon request