

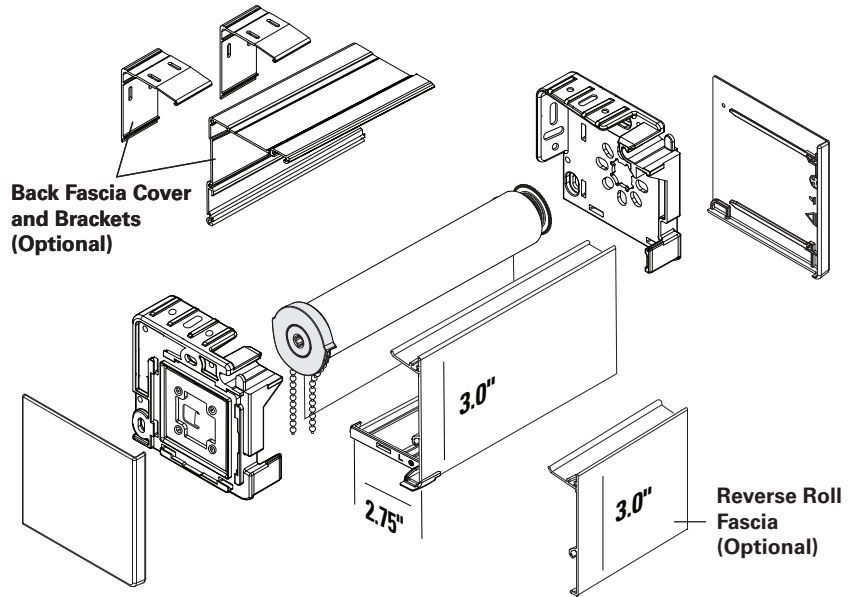
# RB 500™ Standard+ Fascia, Pocket, and Blockout System

## Specifications

### 3" Fascia

Clutch Options: **Standard+**  
 Motor Options: **RTS 30**  
 Mount: **Inside and Outside**  
 Max Shade Width: **80"**  
 Max Roll Up: **2-3/4" (2.75")**  
 Light gap: **Clutch Side -7/8" (.875)**  
**Idle Side -5/8" (.625)**

Bracket Color: **Grey**  
 Bracket Cover Colors:  
**Black, Grey, & White**  
 Fascia Colors:  
**Anodized Aluminum, Black,  
 Bronze, Vanilla, & White**  
 Options:  
**Back Fascia Cover with Brackets,  
 Reverse Roll Fascia**

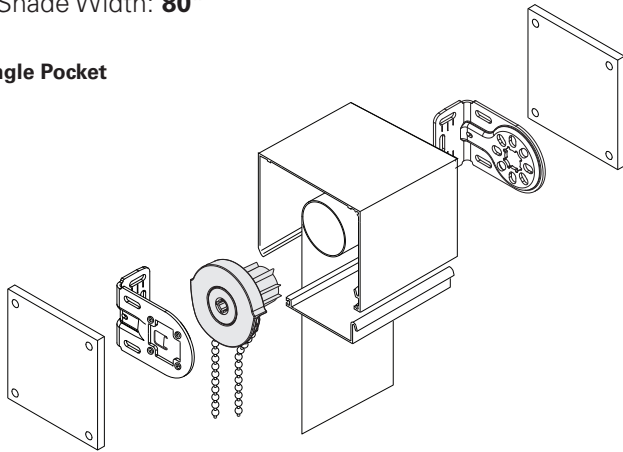


### 5.25" Single and Dual Pocket

Clutch Options: **Standard+**  
 Motor Options: **RTS 30**  
 Mount: **Surface**  
 Max Shade Width: **80"**

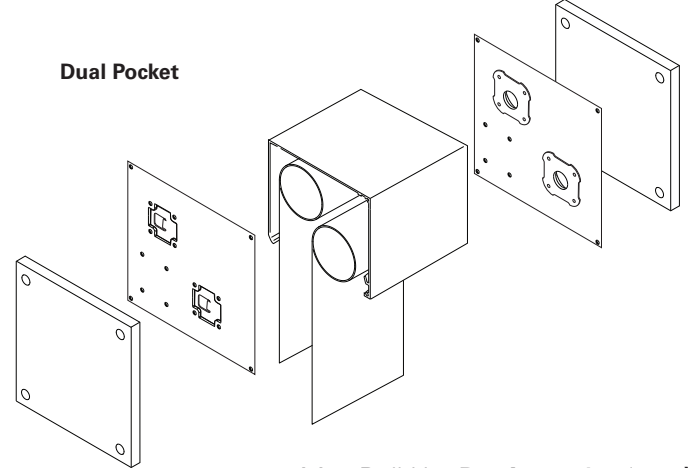
Bracket Color: **Grey**  
 Bracket Cover Colors: **Black, Grey, & White**  
 Pocket Colors: **Anodized Aluminum & White**

#### Single Pocket



Max Roll Up: **Single - 4"**

#### Dual Pocket



Max Roll Up: **Dual - 2-1/2" (2.5")**

### Blockout System

- 3" & 4" Fascia with Back Fascia
- 5.25" & 9" Pockets with bottom closures
- Side Channels or Middle Channel with Wool Pile
  - Side Channel Size: 2-1/2" (2.5")W x 1"D
  - Middle Channel Size: 4-1/4" (4.25")W x 1"D
  - Colors: White, Vanilla, Aluminum, Bronze, Black
- RB 500 Bottom Bar with Wool Pile
  - Size: 1-3/8" (1.375")H x 1/2" (.5")D
  - Colors: White, Vanilla, Aluminum, Bronze, Black

