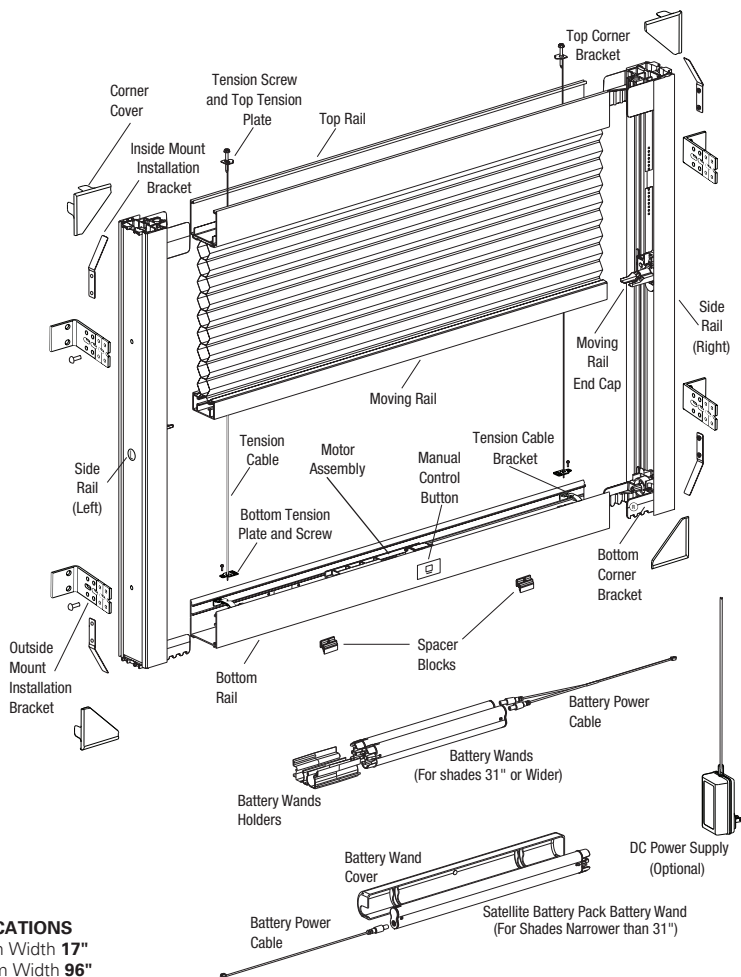


Duette® Honeycomb Shades

SkyLift™ PowerView®



SPECIFICATIONS

Minimum Width **17"**

Maximum Width **96"**

Minimum Height **12"**

Maximum Height

Varies based on width of shade

Hardware Colors

Aspen White, Bronze, Gardenia White

MOUNTING REQUIREMENTS

Inside Mount (Shades narrower than 31") **4-1/2" depth minimum**

Inside Mount (Shades 31" or wider) **2-1/2" depth minimum**

Outside Mount Surface Height **1-1/4" minimum**

Recommended width overlap per side **2"**

BATTERY PACK

Battery Type **Energizer™ Ultimate Lithium AA batteries are the optimum and recommended choice**

Battery Life **One to two years depending on usage**

CABLE SIZES

DC Power Supply **4', 10' or 20'**

Battery Wand (Shade 31" or Wider) **10' or 20'**

Satellite Battery Pack

(Shades Narrower than 31") **15", 4', 10' or 20'**

Hunter Douglas Hospitality's products vary in weight and require specific mounting points. Suitable mounting surface and structural support where needed is to be provided by others.

HunterDouglas 
Hospitality