

## Honeycomb Shades

# PowerView® Bottom-Up (Standard)

**SPECIFICATIONS**

Minimum Width **19-1/2"**  
 Maximum Width **174"**  
 Minimum Height **6"**  
 Maximum Height **144"**  
 Maximum Square Feet **100**  
 Hardware Color **Coordinates with the fabric**

**POWER OPTIONS****Battery Wand (Standard)**

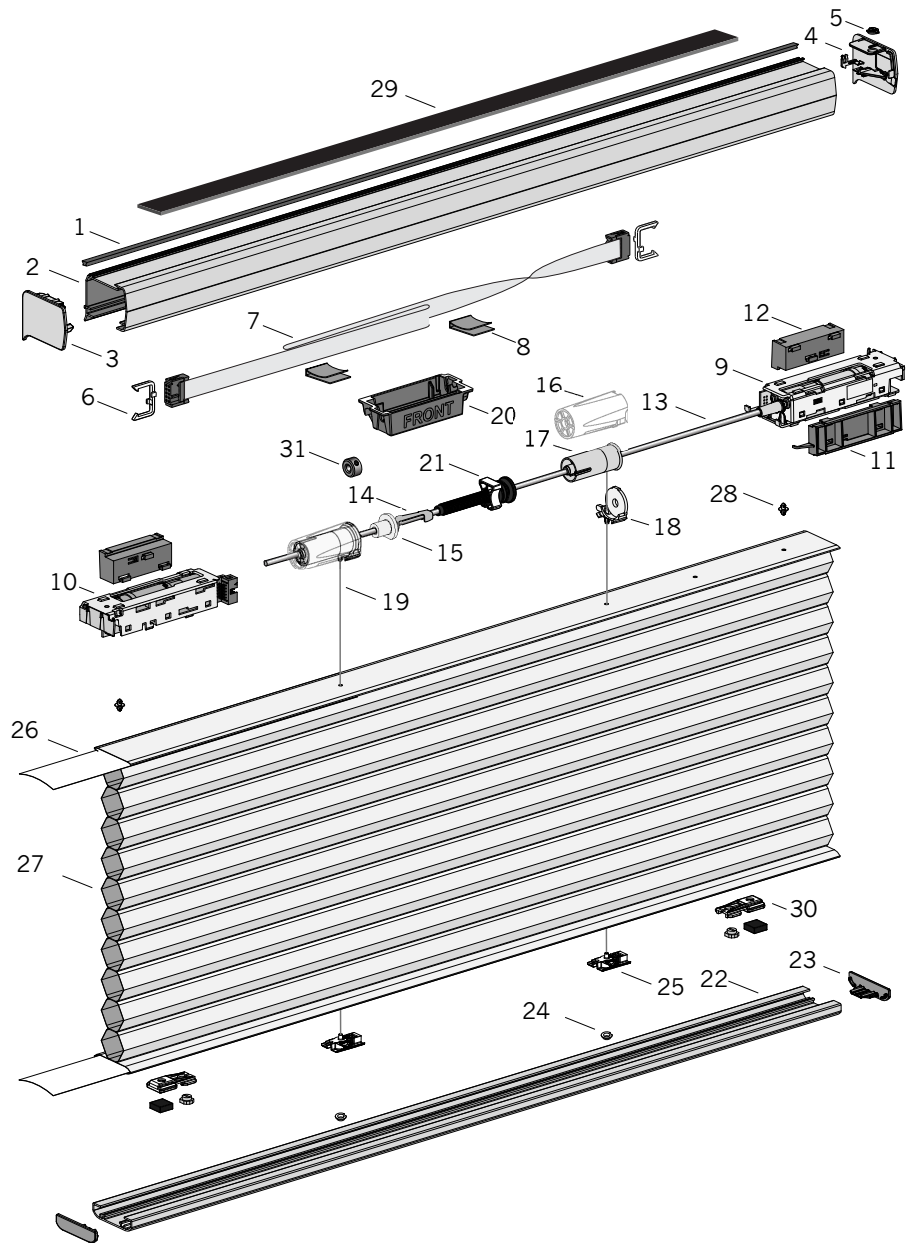
Voltage **18**  
 Battery Quantity **12 AA 1.5V alkaline**  
 Battery Life **Approximately one year**  
**depending on shade type, size, and usage**

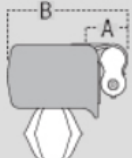
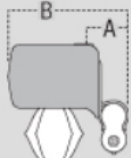
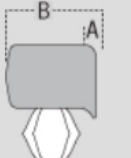
**Additional Power Supplies (must be specified)**

C-Size Battery Wand  
 18V DC Power Supply

**CONTROL OPTIONS**

PowerView Surface  
 PowerView Remote with Pebble  
 PowerView Mobile App

**Mounting Requirements**

	 High Mount Bracket (Standard)	 Low Mount Bracket (Optional)	 C-Size Battery Wand or DC Power Supply (Optional)
<b>Pleat Size:</b>	3/4"	3/4"	3/4"
Minimum IB casement depth (A):	1"	1"	1/2"
Minimum EB casement depth:	1 3/4"	1 3/4"	1 1/4"
Minimum fully recessed casement depth (B):	2 3/4"	2 5/8"	2 1/4"
Minimum OB mounting surface height:	1 1/4"	1 1/4"	1 1/4"

Hunter Douglas Hospitality's products vary in weight and require specific mounting points. Suitable mounting surface and structural support where needed is to be provided by others.

# PowerView® Bottom-Up (Standard)

<b>No.</b>	<b>PCN</b>	<b>Description</b>
1.	2780229002	Headrail Light Block Strip
2.		Headrail
		<b>See Honeycomb Headrails</b>
3.		LH Headrail End Cap
		<b>See Honeycomb Headrail End Caps, Left</b>
4.		RH Headrail End Cap Assembly
		<b>See PowerView Headrail End Caps, Right</b>
5.	2780478000	Clutch Lock
6.	2920433000	Connector Clip, 10-Pin
7.		Ribbon Cable, 10-Pin
	2920435600	18"
	2920435700	24"
	2920435100	36"
	2920435800	48"
	2920435200	60"
	2920435300	84"
	2920436000	108"
	2920435400	132"
	2920435900	172"
8.	2920434000	Ribbon Cable Clip
9.		Motor Module Assembly
	7506000000	Single-Motor Shades
	7506002000	Twin-Motor Shades
10.	7506003000	Twin Motor Assembly, Duette (Twin Motor Shades ONLY)
11.	2911681000	1¼" Adapter (Main Motor ONLY for 1¼" shades)
12.	2911680000	1¼" PCBA Slide Adapter (Each Motor for 1¼" shades)
13.	2770004000	V-Shaft (steel)
14.	2781094000	Shaft Retainer
15.	2781209000	Spacer
16.		Lift Spool Housing
	2921273000	Standard
	2921274000	Long Drop
17.		Lift Spool
	2780034000	Standard (white)
	2780103000	Long Drop (white)
18.	2920033000	Lift Spool Support, Duette
19.	1003020	0.9 mm Cord, White
20.	2780135000	Drop Stop Housing
21.	2780120000	Drop Stop Assembly, RH
22.		Bottom Rail
		<b>See Honeycomb Bottom Rails</b>
23.		Bottom Rail End Cap
		<b>See Honeycomb Bottom Rail End Caps</b>
24.	2780923000	EasyAdjust Pocket Cover (4000/ carton)

<b>No.</b>	<b>PCN</b>	<b>Description</b>
25.		EasyAdjust Assembly
	2801404000	¾", ¾"
	2781318000	1¼"
26.		Filler Strip
	2954000000	¾"
	1000132	¾"
	2971311000	1¼"
27.	N/A	Fabric
28.	2911677000	PV SMM Fabric Lock Pin

If ordered:

29.	2970035000	¾" Magnet Strip with Foam (Orders that include AOS)
30.	KIT2777	Hold-Down Magnet Assembly

For 3 or 4 rout shades with single motor ONLY, replace the shaft retainer and spacer with:

31.	2920750000	Shaft Lock Assembly
-----	------------	---------------------

**Not Shown**

		Weights (Optional)
	2982129000	3"
	2982128000	6"

XXX = 3-digit color code

