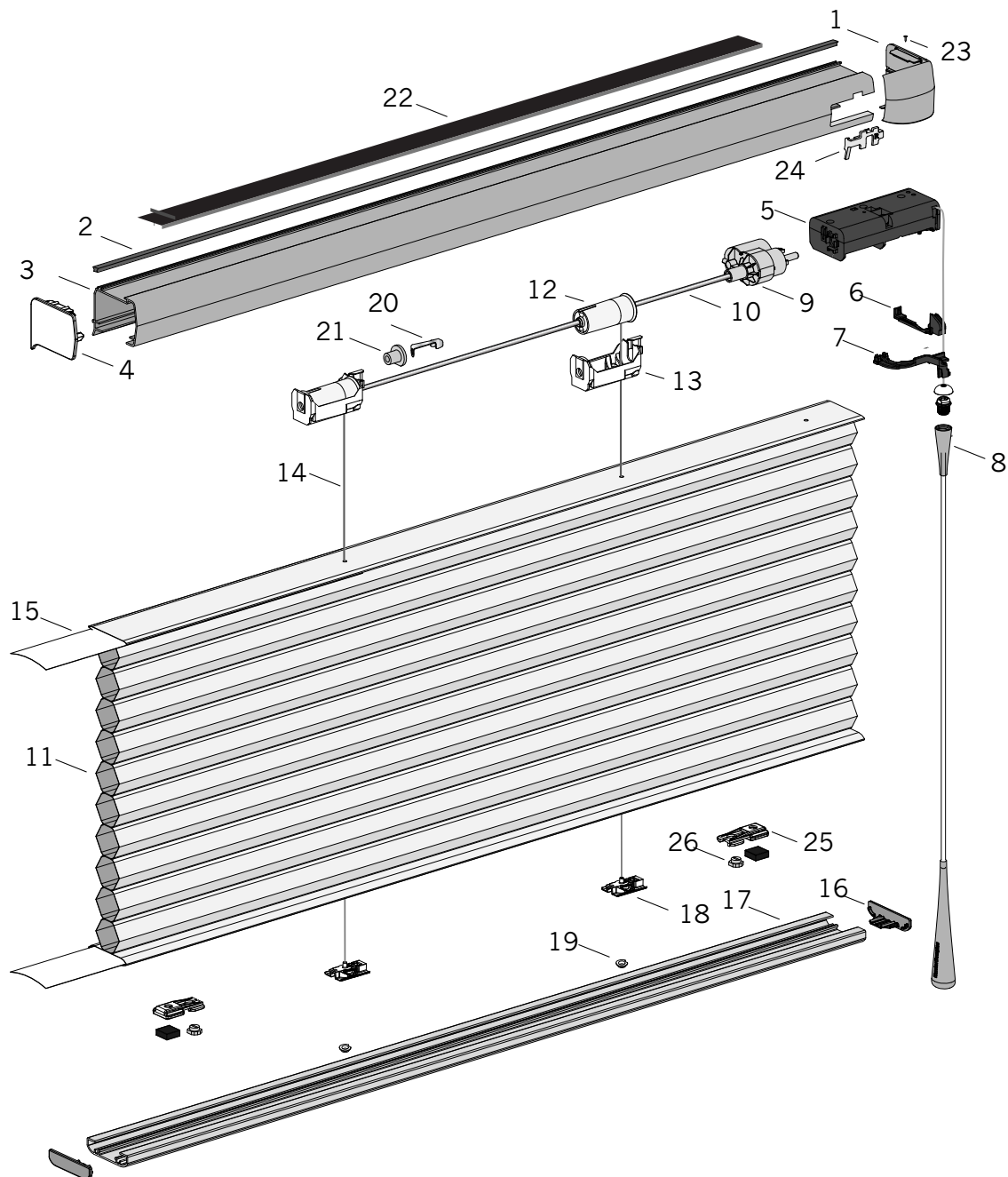


UltraGlide[®] Bottom-Up



SPECIFICATIONS

Minimum Width **12"**
 Maximum Width **144"**
 Minimum Height **6"**
 Maximum Height **144"**
 Maximum Square Feet **80**
 Hardware Color **Coordinates with the fabric**
 Wand Length **From 12" to 84", specify in 6" increments**

MOUNTING REQUIREMENTS

Inside Mount Minimum Depth **1/2"**
 Inside Mount Minimum Depth Fully Recessed **2-1/4"**
 End Mount Minimum Depth **1-1/4"**
 End Mount Minimum Depth Fully Recessed **2-3/8"**
 Outside Mount Surface Height **1-1/4"**

Hunter Douglas Hospitality's products vary in weight and require specific mounting points. Suitable mounting surface and structural support where needed is to be provided by others.

UltraGlide® Bottom-Up

| No. | PCN | Description |
|------------|------------|---|
| 1. | | Headrail End Cap, UltraGlide See UltraGlide Headrail End Caps |
| 2. | 2780229002 | Headrail Light Block Strip |
| 3. | | Headrail See Honeycomb Headrails |
| 4. | | Headrail End Cap See Honeycomb Headrail End Caps |
| 5. | | Pull Cord Assembly (PCA) |
| | 2801462000 | RH |
| | 2801463000 | LH |
| 6. | | PCA Adapter |
| | 2801748000 | 3/8" and 3/4", RH |
| | 2801749000 | 3/8" and 3/4", LH |
| | 2801750000 | 1 1/4", RH |
| | 2801751000 | 1 1/4", LH |
| 7. | | PCA Brake Activator |
| | 2801480000 | 3/8" and 3/4", RH |
| | 2801481000 | 3/8" and 3/4", LH |
| | 2801484000 | 1 1/4", RH |
| | 2801485000 | 1 1/4", LH |
| 8. | 28512XXXXX | Wand Assembly |
| 9. | 2780136000 | Gearbox (Note: Only for larger shades) |
| 10. | 2770004000 | V-Shaft (steel) |
| 11. | N/A | Fabric |
| 12. | | Lift Spool |
| | 2780034000 | Standard (white) |
| | 2780103000 | Long Drop (white) |
| 13. | | Lift Spool Support |
| | 2780033000 | Standard |
| | 2780105000 | Long Drop |
| | | Architella 1 1/4" Spool Support |
| | 2780099000 | Rear (Gray) |
| | 2780130000 | Long Drop, Rear (Gray) |
| | | Architella 1 1/4" Spool Support |
| | 2780098000 | Front (White) |
| | 2780129000 | Long Drop, Front (White) |
| 14. | 1003020 | 0.9 mm Cord, White |
| 15. | | Filler Strip |
| | 2954000000 | 3/8" |
| | 1000132 | 3/4" |
| | 2971311000 | 1 1/4" |

| No. | PCN | Description |
|------------|------------|--|
| 16. | | Bottom Rail End Cap See Honeycomb Bottom Rail End Caps |
| 17. | | Bottom Rail See Honeycomb Bottom Rails |
| 18. | | EasyAdjust Assembly |
| | 2801404000 | 3/8", 3/4" |
| | 2781318000 | 1 1/4" |
| 19. | 2780923000 | EasyAdjust Pocket Cover (4000/carton) |
| 20. | 2781094000 | Shaft Retainer |
| 21. | 2781209000 | Spacer |
| 22. | 2970035000 | 3/4" Magnet Strip with Foam (Note: Only for orders that include AOS) |
| 23. | 2910001000 | End Cap Screw |
| 24. | | PCA Lock Plate |
| | 2801627000 | LH |
| | 2801628000 | RH |

If ordered:

| | | |
|-----|------------|---------------------------|
| 25. | KIT2777 | Hold-Down Magnet Assembly |
| 26. | 2981043000 | Spring Holder Pivot Lock |

Not Shown

| | | |
|--|------------|--------------------|
| | | Weights (Optional) |
| | 2982129000 | 3" |
| | 2982128000 | 6" |

XXXXX = 5-digit length and color code