

Classic Roman Shade - Motorized

Fabricated Products

SPECIFICATIONS

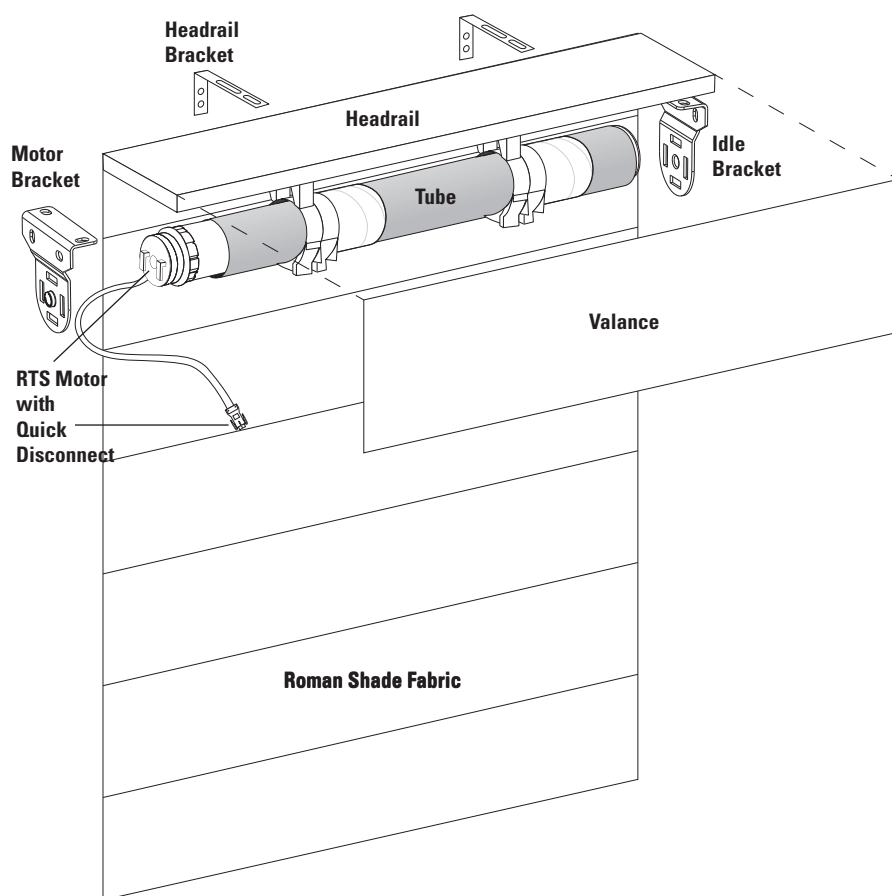
Mount: **Ceiling or Wall Mount**

Headrail Depth: **3" or 4"**, determined by the tube diameter needed

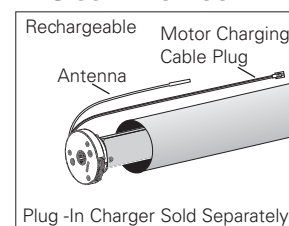
MOTOR OPTIONS

Motor	Max Lift Capacity	Tube Size	Speed	Torque
RTS 30 WireFree Rechargeable Battery	11 lbs	37 mm (1.5")	28 rpm	2 Nm
RTS 404S2 Hardwired with Quick Disconnect	35 lbs	50 mm (2")	36 rpm	4 Nm
RTS 506S2 Hardwired with Quick Disconnect or Plug-In	52.8 lbs	50 mm (2")	38 rpm	6 Nm

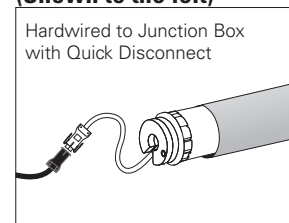
The size of the Roman Shade and the fabric weight will determine which motor will be used.



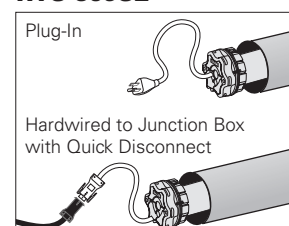
RTS 30 WireFree



RTS 404S2 (Shown to the left)



RTS 506S2



Hunter Douglas Hospitality's products vary in weight and require specific mounting points. Suitable mounting surface and structural support where needed is to be provided by others.