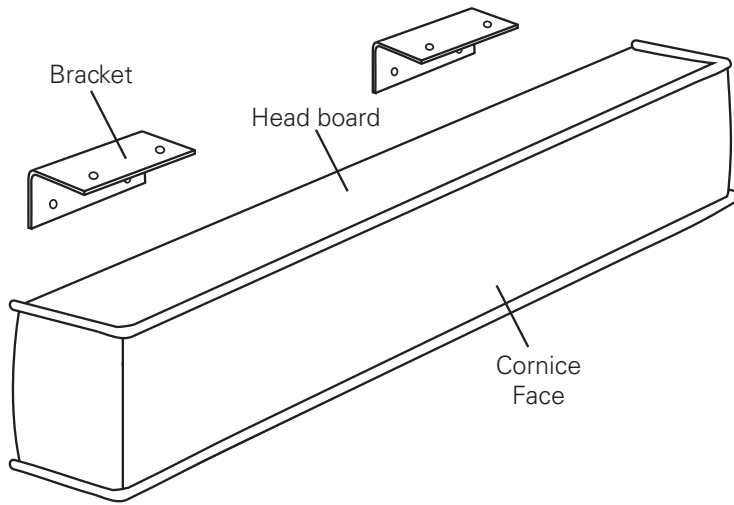


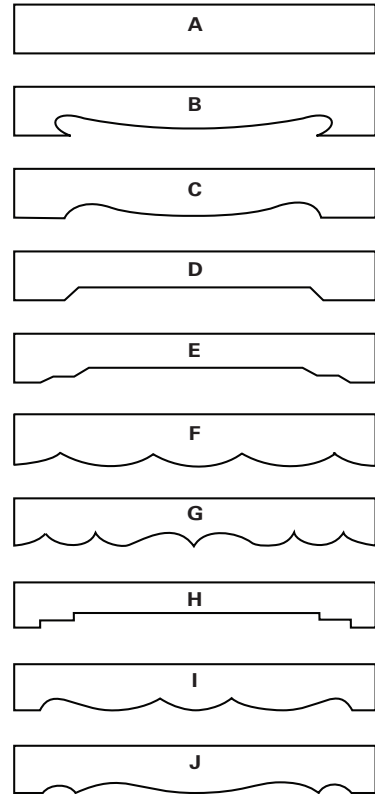
Cornice

Fabricated Products

DIAGRAM



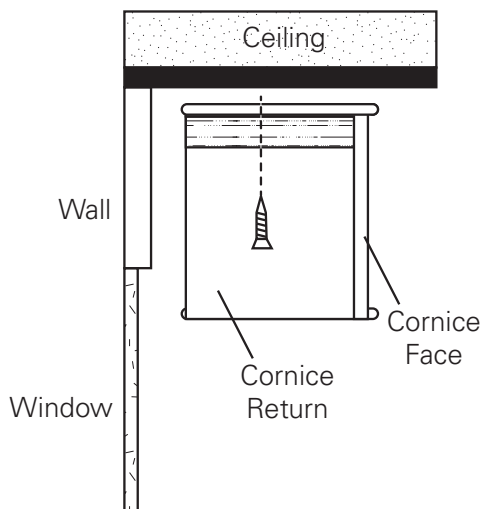
STYLE OPTIONS



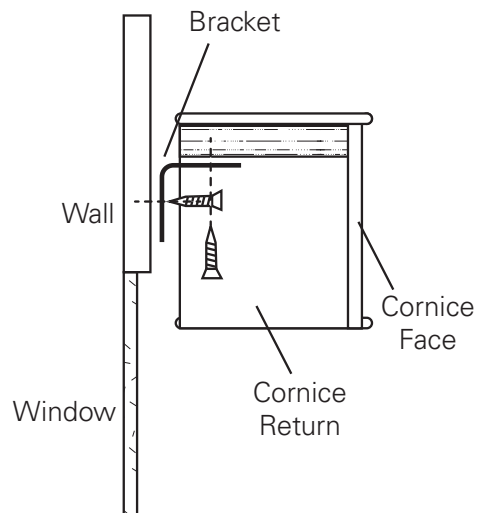
DESIGN OPTIONS

- Banding may be added to styles A, D, and H
- Trim options and contract welting are also available
- Styles B, C, and J not recommended for lengths over 75"

CEILING MOUNT



WALL MOUNT



Hunter Douglas Hospitality's products vary in weight and require specific mounting points. Suitable mounting surface and structural support where needed is to be provided by others.