

# Blackout Roman Shades

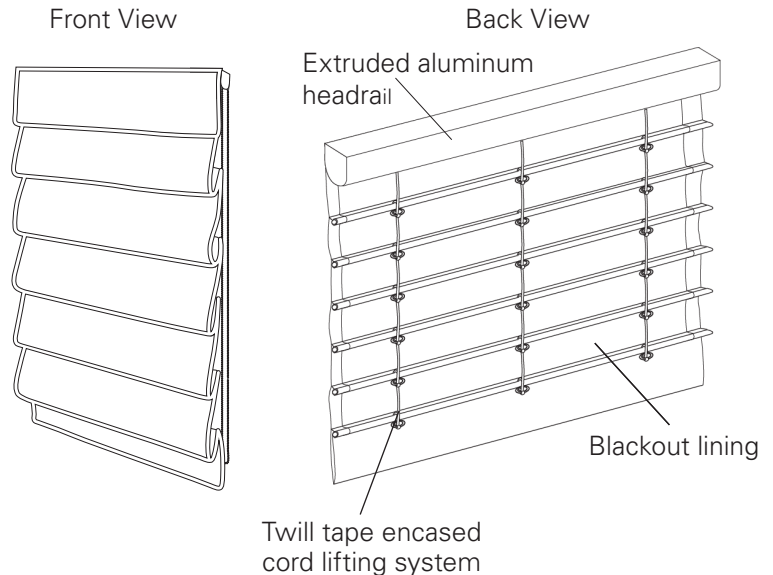
Hunter Douglas Hospitality offers 2 options for Blackout Roman Shades. Each option can be soft or flat fold style using the Infinity Fabrication Collection or customer's own material (COM). All specified fabrics must meet NFPA 701 fire rating requirements.

## Classic Blackout

Roman shade with blackout lining.

### FEATURES

- Single clutch and tube operating system with manual chain or motorized control options
- Pull cord or continuous cord loop lifting system
- Cord is encased in twill tape for added durability
- Passes ANSI/WCMA A100.1-2012 Safety Standard

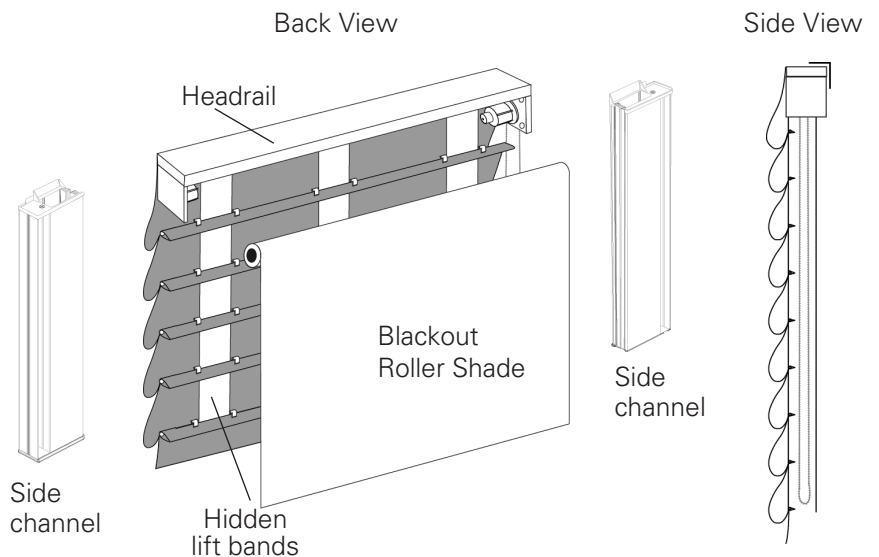


## Classic Plus Blackout

Combines Classic roman shade with blackout roller shade lining.

### FEATURES

- Roman shade and blackout roller shade raise and lower together with hidden lift bands
- Side channels for maximum light blockage
- Passes ANSI/WCMA A100.1-2012 Safety Standard



Hunter Douglas Hospitality's products vary in weight and require specific mounting points. Suitable mounting surface and structural support where needed is to be provided by others.