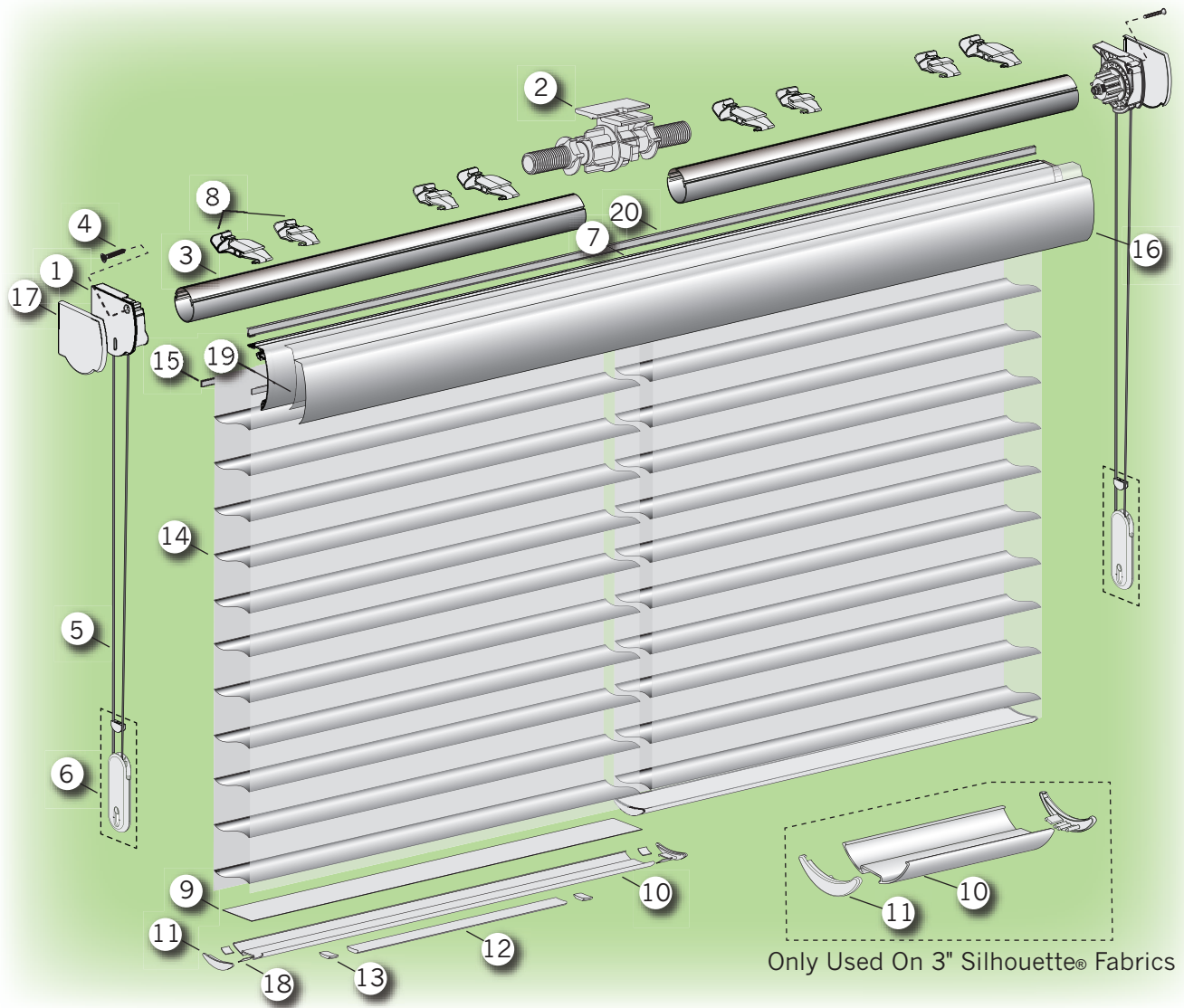


Classic Two-On-One



Classic Two-On-One

No.	PCN	Description
1.	Headrail Clutch End Plate	
	4170417000	RH
	4170418000	LH
2.	4158207000	URR Dual Rotator Assembly
3.	4150054xxx	Rotator Rail, 0.050 LW, Universal
4.	4174708000	Screw, FLH PHH #8-18 x 0.75"
5.	Cord Loop	
	4199010xxx	1'
	4199020xxx	2'
	4199030xxx	3'
	4199040xxx	4'
	4199050xxx	5'
	4199060xxx	6'
6.	4150336xxx	Universal Cord Tensioner
7.	4171290xxx	Headrail, Fabric Covered
8.	Top Limit	
	4150057885	Std. Used On 2" Silhouette Fabrics And All 3" Nantucket Fabrics
	4140126000	Top Limit Assembly – XL Used On All 3" Silhouette Fabrics
9.	Bottom Slat	
	4150144xxx	SU BTTMSLAT 2" (1.908" Vane)
	4160144xxx	SU BTTMSLAT 3" (2.5625" Vane)
10.	Bottom Rail	
	4150128xxx	2" Silhouette Fabrics And 3" Nantucket Fabrics
	4150951xxx	3" – All 3" Silhouette Fabrics
11.	Bottom Rail End Caps	
	4150084xxx	Classic – 2" Silhouette Fabrics And 3" Nantucket Fabrics
	4170950xxx	3" – All 3" Silhouette Fabrics
12.	4150082xxx	Bottom Rail Weight (Balance Weight)
13.	4150083xxx	Weight Clip
14.	N/A	Fabric
15.	4150288785	Polystrip With Tape
16.	N/A	FCH Fabric
17.	End Cap Cover	
	4171291xxx	RH
	4171292xxx	LH
18.	SU Steel Insert Strip	
	4150600000	Short
	4140601000	XL, Long – Used On All 3" Silhouette Fabrics
NOTE: For 3" bottom rail, use one short and one long steel insert strip on each side.		
19.	4150153500	SU FW Tape, 3.219" × 320 Yards
20.	2780229000	Light Block Strip (IB Only)

xxx = 3 Digit Color Code