

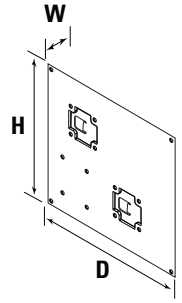
# RB 500™ 5.25" Dual Pocket - **Standard+** Clutch

## Diagram

### SPECIFICATIONS

- Mount: **Surface and Ceiling Mount**
- Tube Size: **37mm (1.5")**
- Shade Width: **12" - 80"**
- Shade Weight: **8 lbs**
- Shade Weight with Spring Assist: **11 lbs**
- Light gap: **Clutch End — 7/8" (.875)**  
**Idle End — 5/8" (.625)**
- Chain: **Stainless Steel with 110 lb breaking strength**
- Clutch Color: **Grey**
- Bracket Color: **Grey or White**
- Bracket Cover Colors: **Grey & White**
- Hembar: **Shade fabric determines which hembar is available**

Bracket	Dimensions	Max Roll Up
5.25" Dual	5.25" H x .125" W x 5.25" D	2-1/2" (2.5")

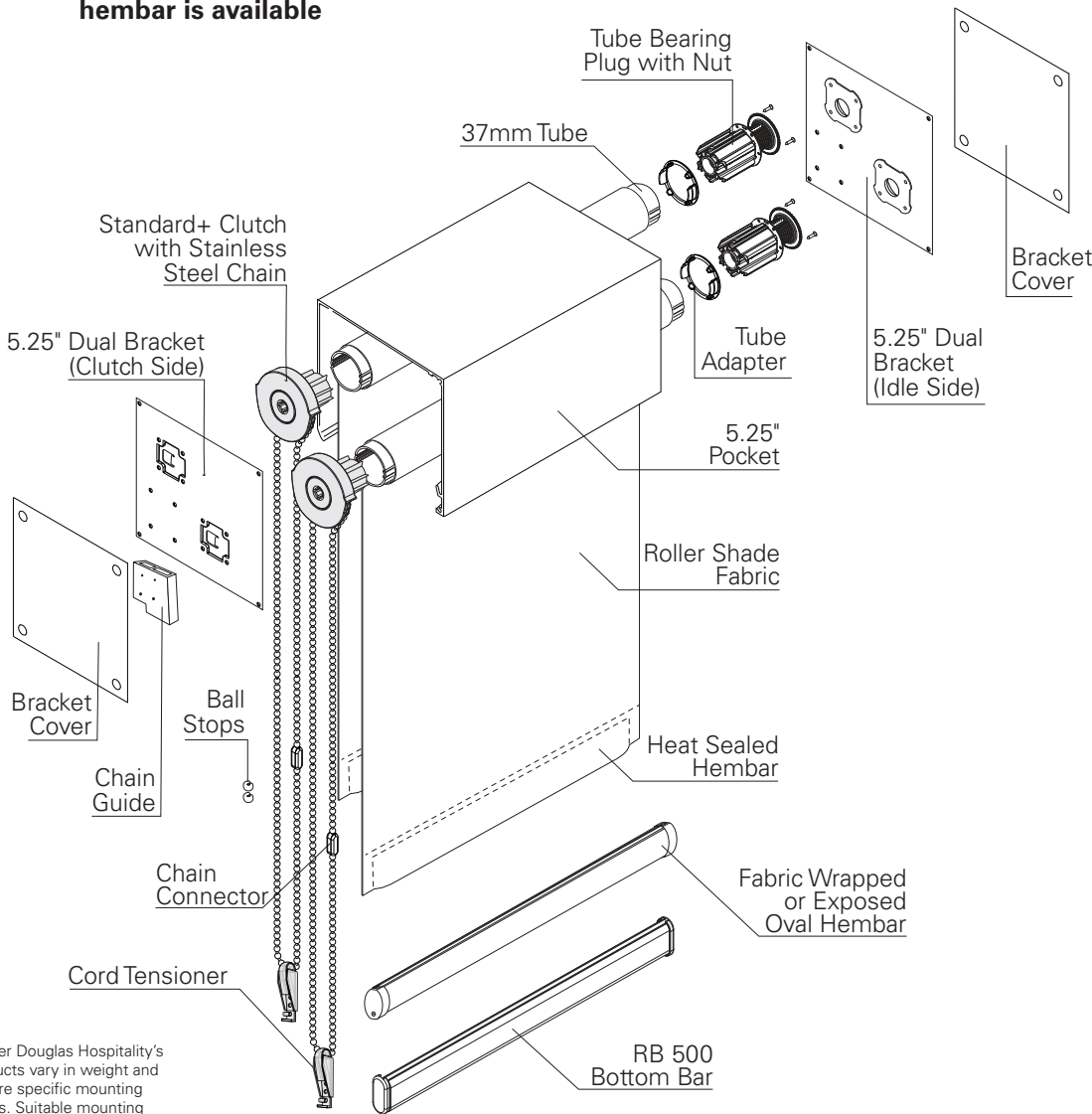


### POCKET COLORS

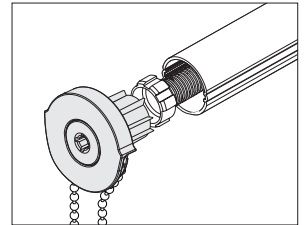


White

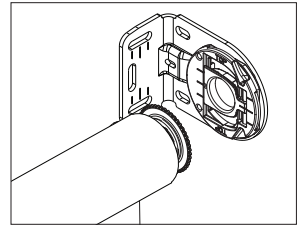
Aluminum



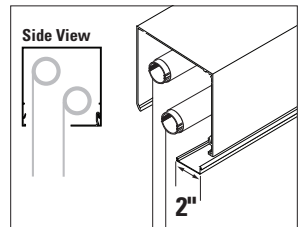
### OPTIONS



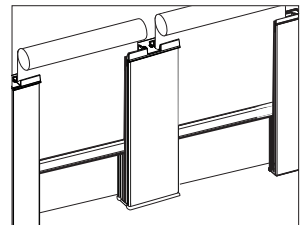
Spring Assist



Integrated Leveler



Bottom Closures  
(May need to be secured to pocket)



Side and Middle Channel

Hunter Douglas Hospitality's products vary in weight and require specific mounting points. Suitable mounting surface and structural support where needed is to be provided by others.

Las Vegas • Chicago  
800.229.5300  
HDhospitality.com

© 2018 Hunter Douglas. All rights reserved. All trademarks used herein are the property of Hunter Douglas or their respective owners.