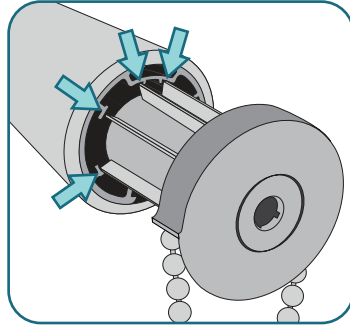


MANUAL CLUTCH



CORRECT INSTALLATION



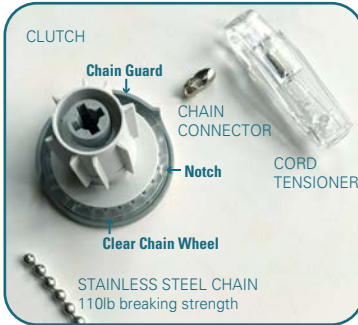
Line the ridges of the clutch up with the ridges inside the tube. Push the clutch into the tube. There will be resistance when inserting the clutch into the tube.

WRONG INSTALLATION



If the clutch is loose, it is not installed correctly.

CHAIN INSTALLATION



PART NUMBERS

Standard+ Clutch **94105388**
 Heavy Duty+ Clutch **94105330**
 Cord Tensioner **24750300000**
 Stainless Steel Chain **BC00297**

Only use Hunter Douglas replacement parts. Use of parts other than those made or assembled exclusively from Hunter Douglas materials and components voids any lifetime guarantee.



Hold the clutch by the chain guard. Rotate the clear chain wheel to make the notch accessible. Position the chain in the clear chain wheel on the opposite side of the notch. Use a screwdriver in the notch to rotate the wheel until the chain is threaded all the way through.



Once the chain is threaded through the wheel you can pull it the rest of the way.

CHAIN CONNECTOR

CHAIN CONNECTOR PLACEMENT

Before attaching the chain connector you must determine the control side. The chain connector must be placed 3–4" on the backside of the clutch for standard roll (front side of the clutch for reverse roll).



Place the chain through the cord tensioner before connecting the other side to the chain connector.

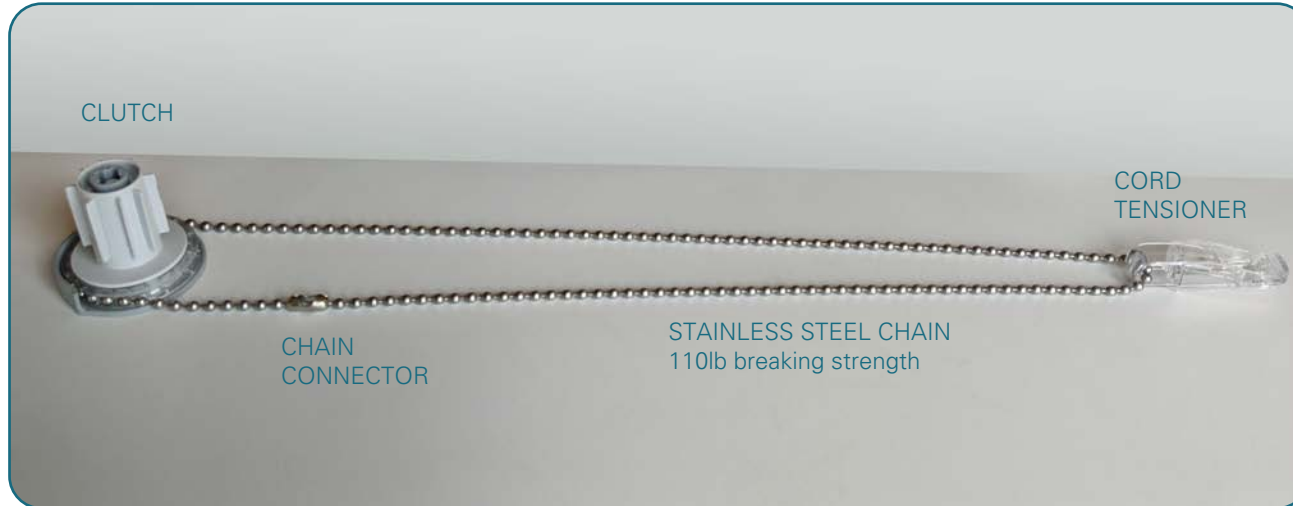
RIGHT CONTROL SIDE



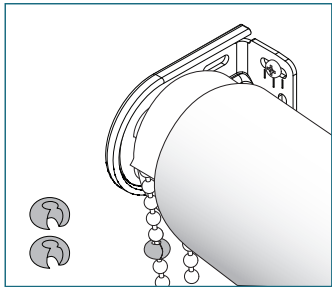
LEFT CONTROL SIDE



ASSEMBLED CLUTCH



BALL STOP INSTALLATION



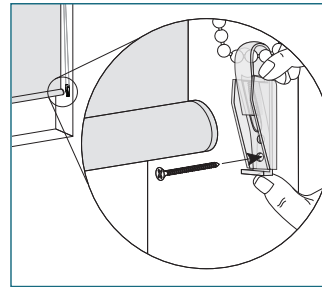
SET LOWER LIMIT

Lower shade to the bottom of the window opening. Place a ball stop over the chain in front of the clutch and secure using pliers.

SET UPPER LIMIT

Raise shade to the desired height. Place a ball stop over the chain in back of the clutch and secure using pliers.

CORD TENSIONER INSTALLATION



Be sure the cord tensioner is not placed in the path of the bottom rail or fabric.

Unlock the cord tensioner by removing the plug from the screw hole and pushing down.

Hold the cord tensioner firmly in place and check that the bead chain, ball stop, and chain connector can move freely through it. The chain should not be taught.

Mark the screw hole with a pencil. Attach the cord tensioner directly to the wall using a 1/2" screw. Use a wall anchor if necessary.