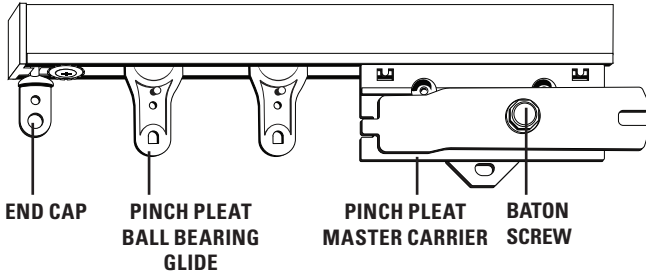


# Drapery Track Hardware

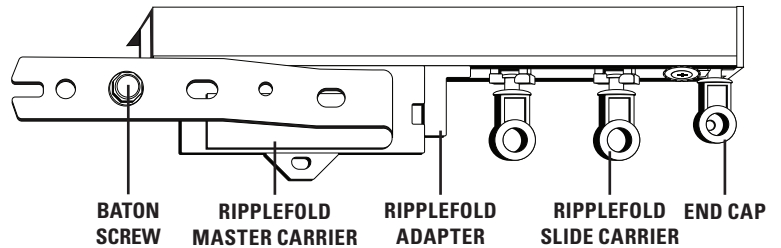
## Drapery

Available in ceiling and wall mount, the drapery track can accommodate pinch pleat and Ripplefold drapery. The tracks are extruded aluminum finished with a white polyester powder coating (PPC).

### PINCH PLEAT TRACK

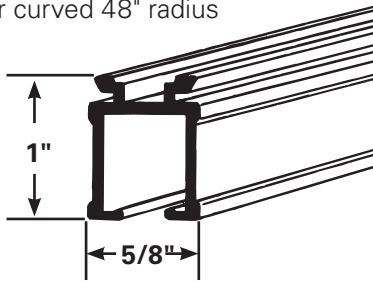


### RIPPLEFOLD TRACK



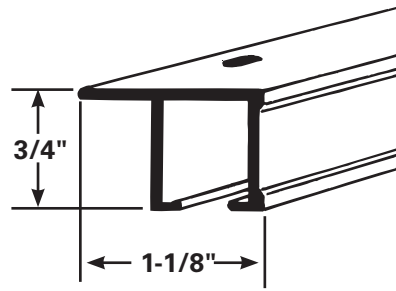
### UNI TRACK NO LIP

- Wall, ceiling, or recessed mount
- Drapery Type - Pinch Pleat and Ripplefold
- Can be angular bent using 12" and 14" radius or circular curved 48" radius



### UNI TRACK WITH LIP

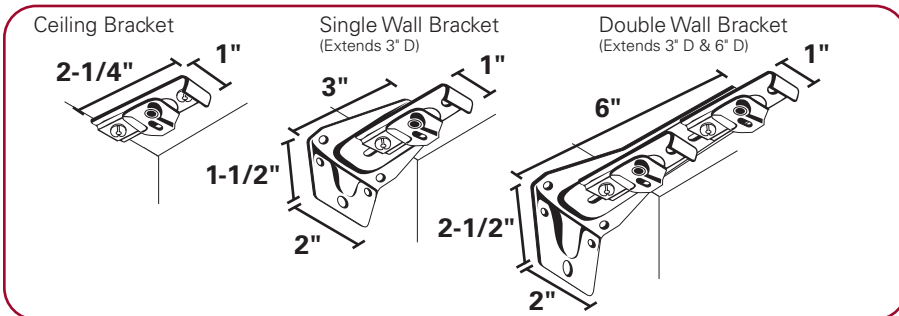
- Ceiling or recessed mount
- Drapery Type - Pinch Pleat and Ripplefold
- Cannot be curved or bent



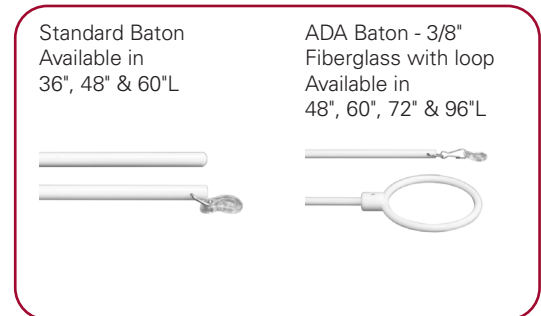
### SPECIFICATIONS

Track	Drapery Type	Mount	Draw Control	Draw Direction	Max. Track Length	Max. Fabric Weight
Uni Track No Lip	Pinch Pleat and Ripplefold	Wall, ceiling or recessed	Baton Only Available in 36", 48" & 60"	One-way	20'	40 lbs
				Two-way	40'	80 lbs
Uni Track with Lip	Pinch Pleat and Ripplefold	Ceiling or recessed	Baton Only Available in 36", 48" & 60"	One-way	16'	32 lbs
				Two-way	32'	64 lbs

### UNI TRACK NO LIP BRACKETS



### BATONS



Hunter Douglas Hospitality's products vary in weight and require specific mounting points. Suitable mounting surface and structural support where needed is to be provided by others.