

RB 500™ 5.25" Pocket Single Shade - Sonesse 40 & Sonesse 50 RTS Motor

Diagram

Series 5-216

SPECIFICATIONS

Mount: **Ceiling, or Surface Mount**

Tube Size: **50mm (2")**

Minimum Shade Width: **35"**

Light Gap: **Clutch End – 1"**

Idle End – 7/8" (.875")

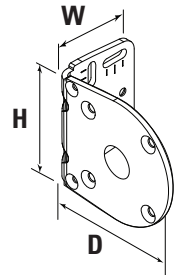
Bracket Color: **Grey**

Bracket Cover Colors: **Black, Grey, & White**

Control Options:

Wireless Wall Switch, Wireless Remote, Universal Interface, Timer, Sun Sensor, mylink™ RTS Smartphone, Tablet, and Amazon Alexa Interface

Bracket	Dimensions	Max Roll Up
Bracket 55L	3.46"H x 2.56"W x 3.9"D	3.8"



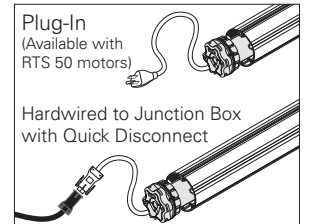
POCKET COLORS



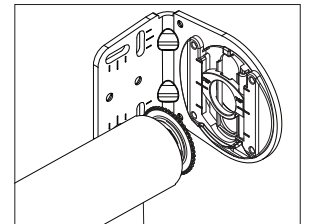
White

Aluminum

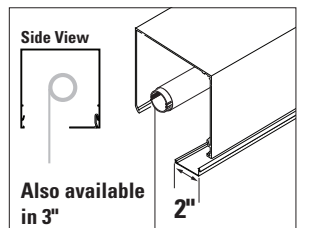
OPTIONS



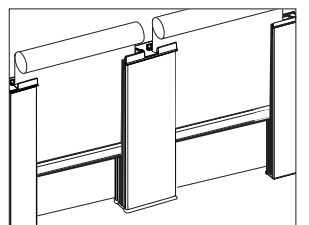
Power Options



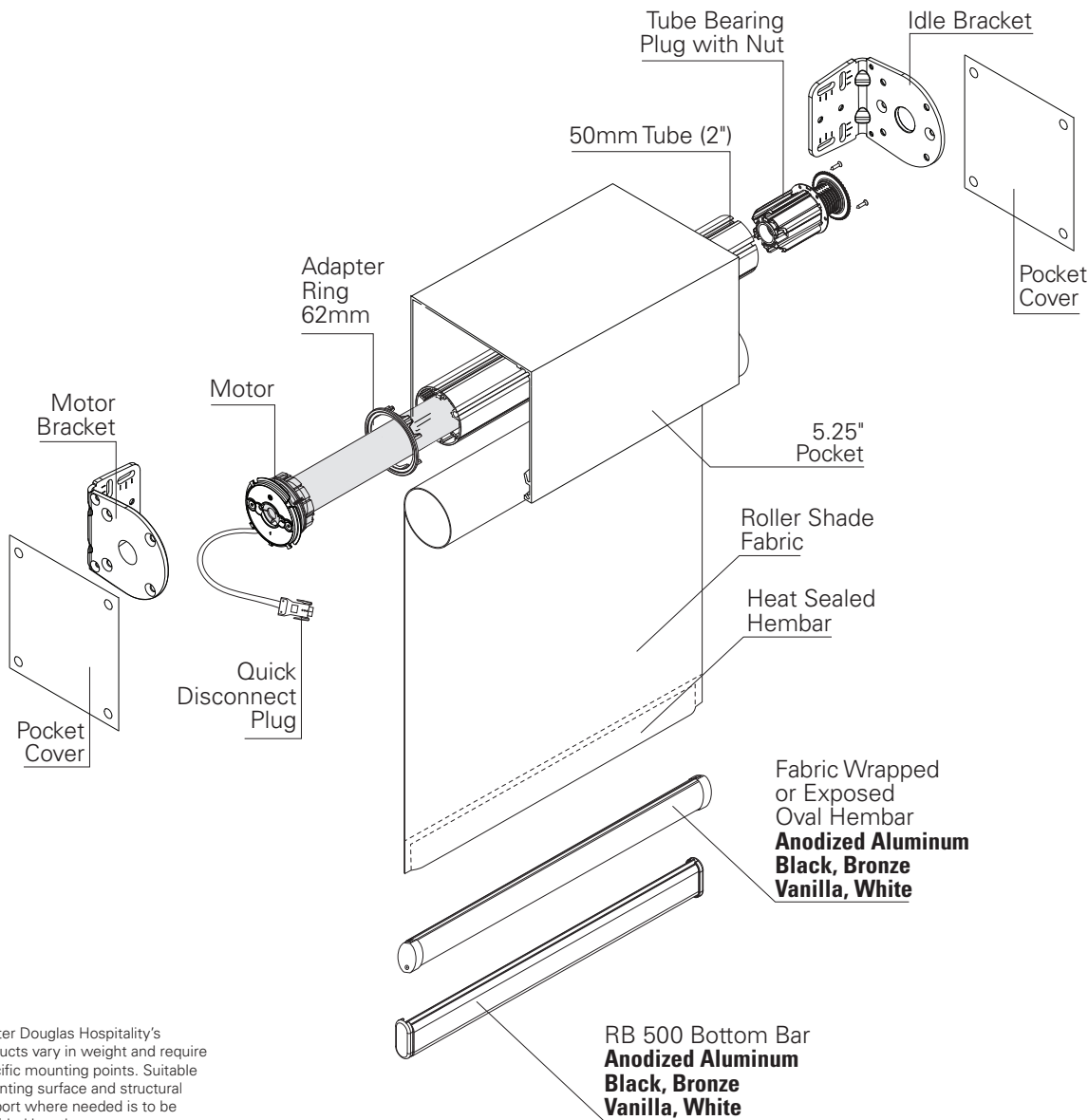
Integrated Leveler



Bottom Closures (May need to be secured to pocket)



Side and Middle Channels



Hunter Douglas Hospitality's products vary in weight and require specific mounting points. Suitable mounting surface and structural support where needed is to be provided by others.

Las Vegas • Chicago
800.229.5300
HDhospitality.com

© 2018 Hunter Douglas. All rights reserved. All trademarks used herein are the property of Hunter Douglas or their respective owners.