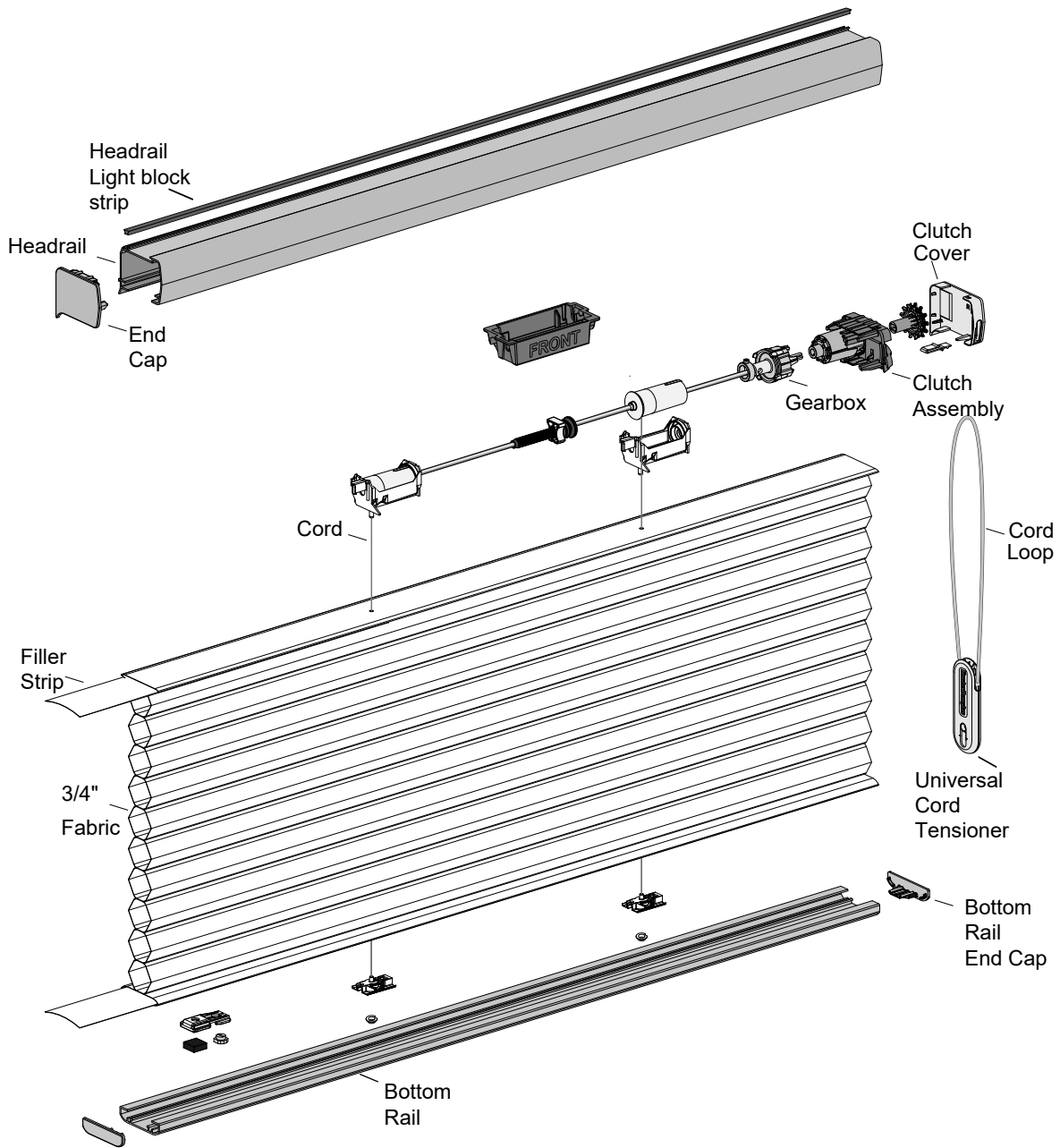


EasyRise™ Bottom-Up (Standard)



SPECIFICATIONS

Minimum Width **16"**
 Maximum Width **174"**
 Minimum Height **24"**
 Maximum Height **144"**
 Maximum Square Feet **80**
 Hardware Color **Coordinates with the fabric**
 Cord Drop **2', 3', 4' & 5'** - length determined by shade height; **Cords longer than 5' come in white only**

MOUNTING REQUIREMENTS

Inside Mount Minimum Depth **1/2"**
 Inside Mount Minimum Depth Fully Recessed **2-1/4"**
 End Mount Minimum Depth **1-1/4"**
 End Mount Minimum Depth Fully Recessed **2-3/8"**
 Outside Mount Surface Height **1-1/4"**

Hunter Douglas Hospitality's products vary in weight and require specific mounting points. Suitable mounting surface and structural support where needed is to be provided by others.

