

Classic Plus Roman Shade - Manual

Fabricated Products

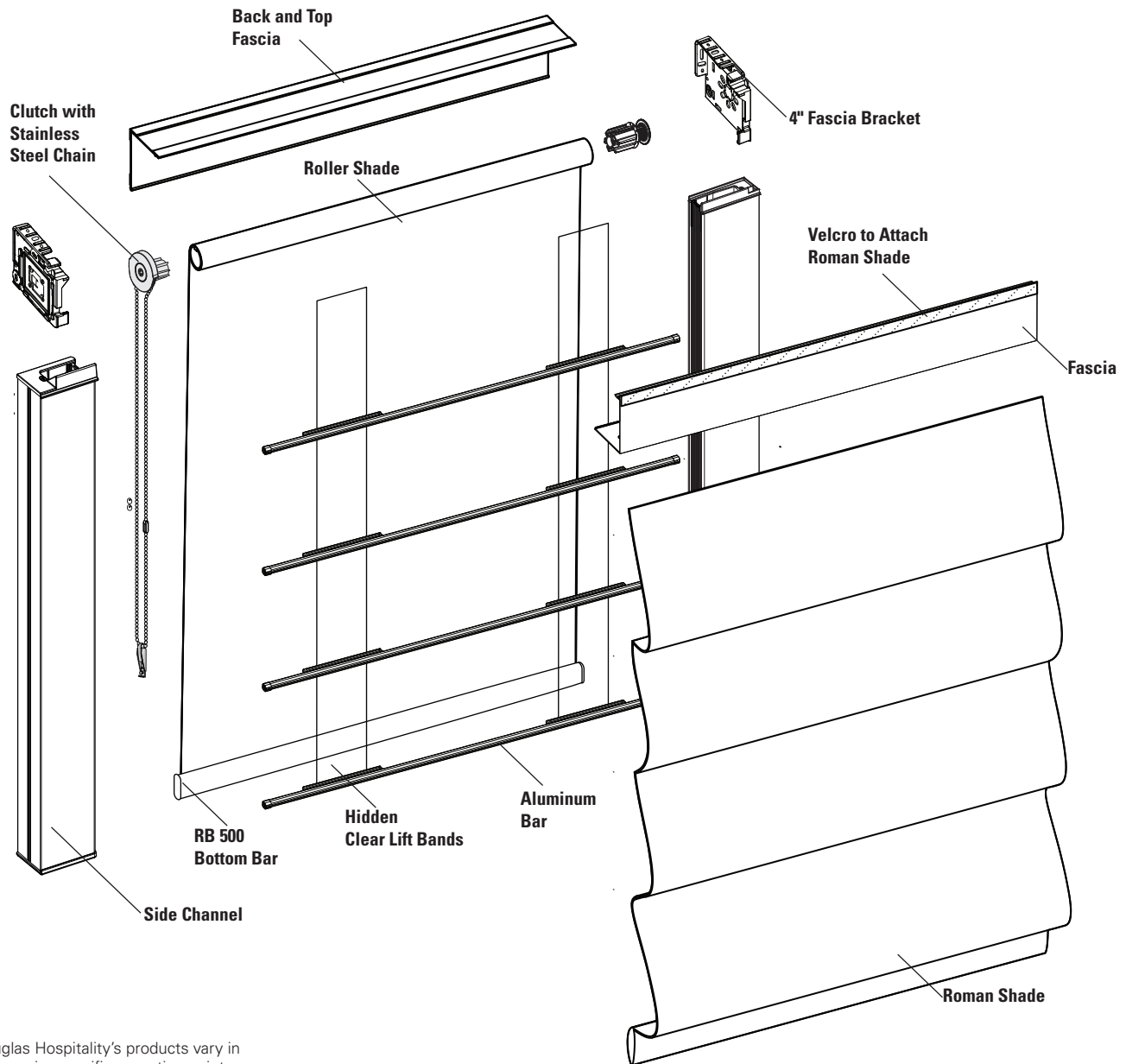
The Classic Plus Roman Shade combines the traditional style of a Roman shade with a modern roller shade blackout system.

FEATURES

- Roman Shade and Blackout Roller Shade raise and lower together with hidden lift bands
- Side channels and RB 500 bottom bar on the roller shade eliminate light leakage at the sides and sill of the window
- Available with all fabricated Roman Shade styles

SPECIFICATIONS

Minimum Width **30"**
 Maximum Width **60"**
 Maximum Length **70"**
 Headrail Depth **4"**

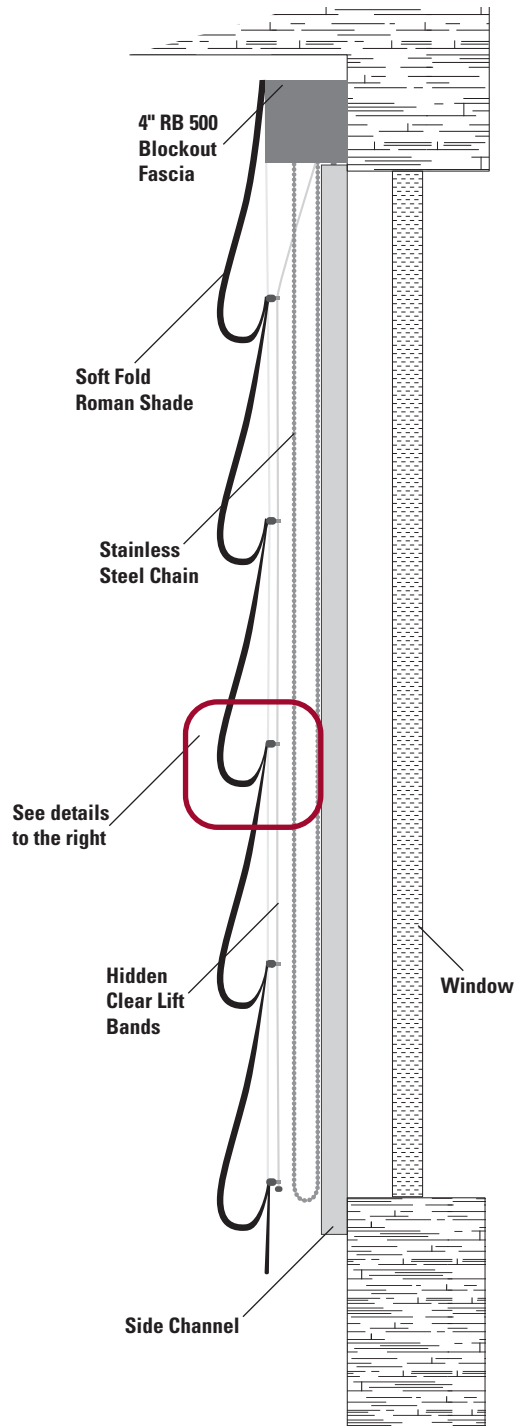


Hunter Douglas Hospitality's products vary in weight and require specific mounting points. Suitable mounting surface and structural support where needed is to be provided by others.

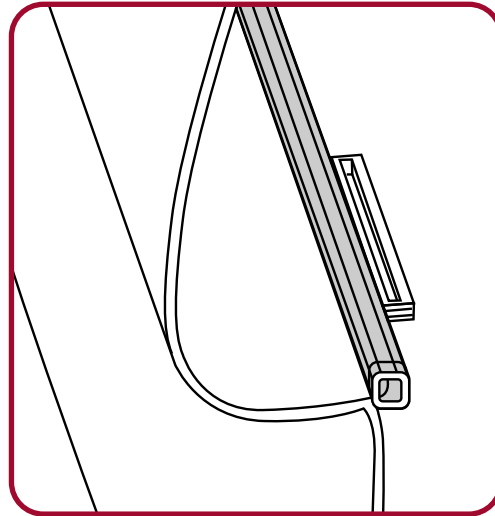
Classic Plus Roman Shade - Manual

Fabricated Products

Side View



Aluminum Bar Detail



Hidden Clear Band Detail

