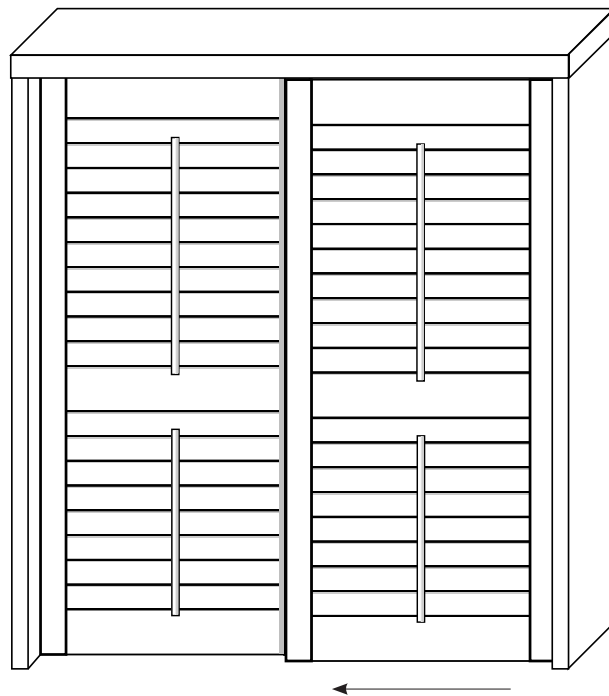
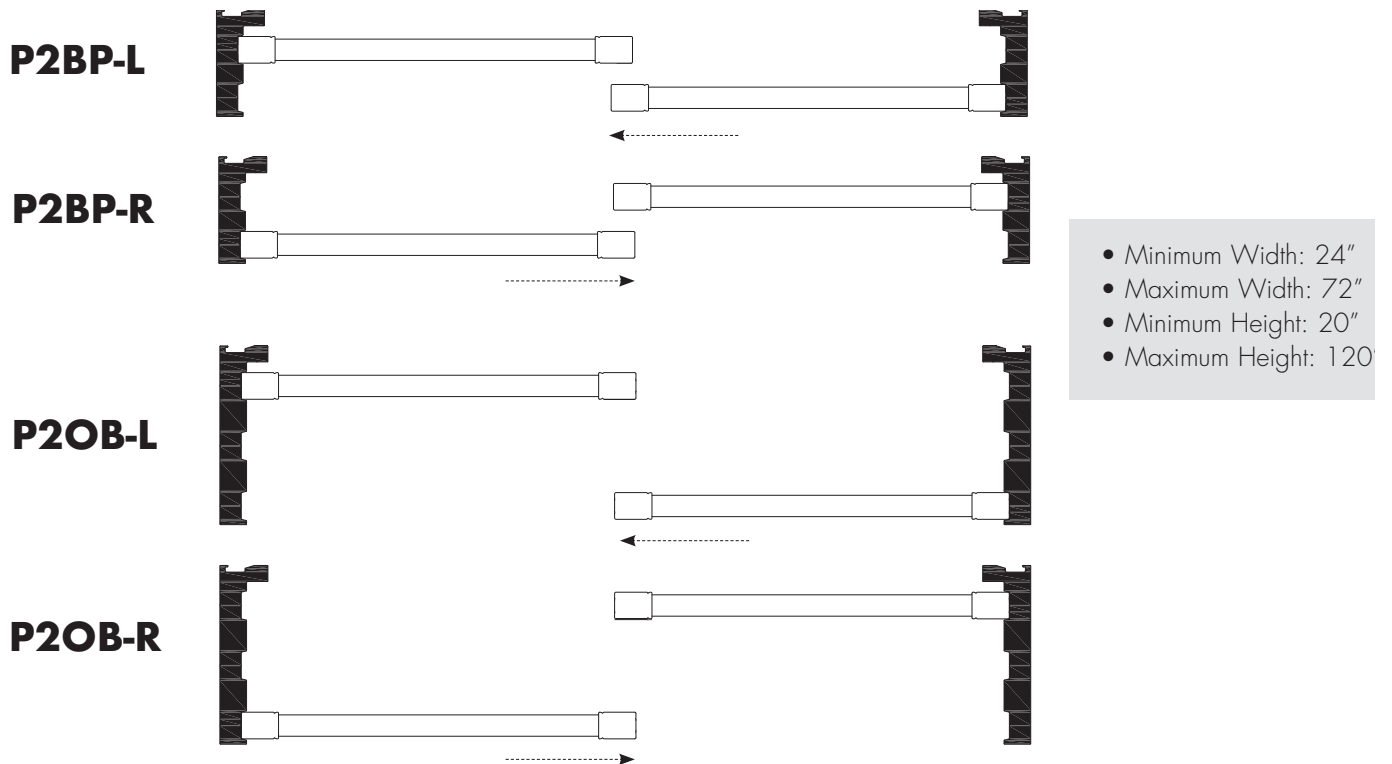


Shutters FR - Two Panel By-Pass

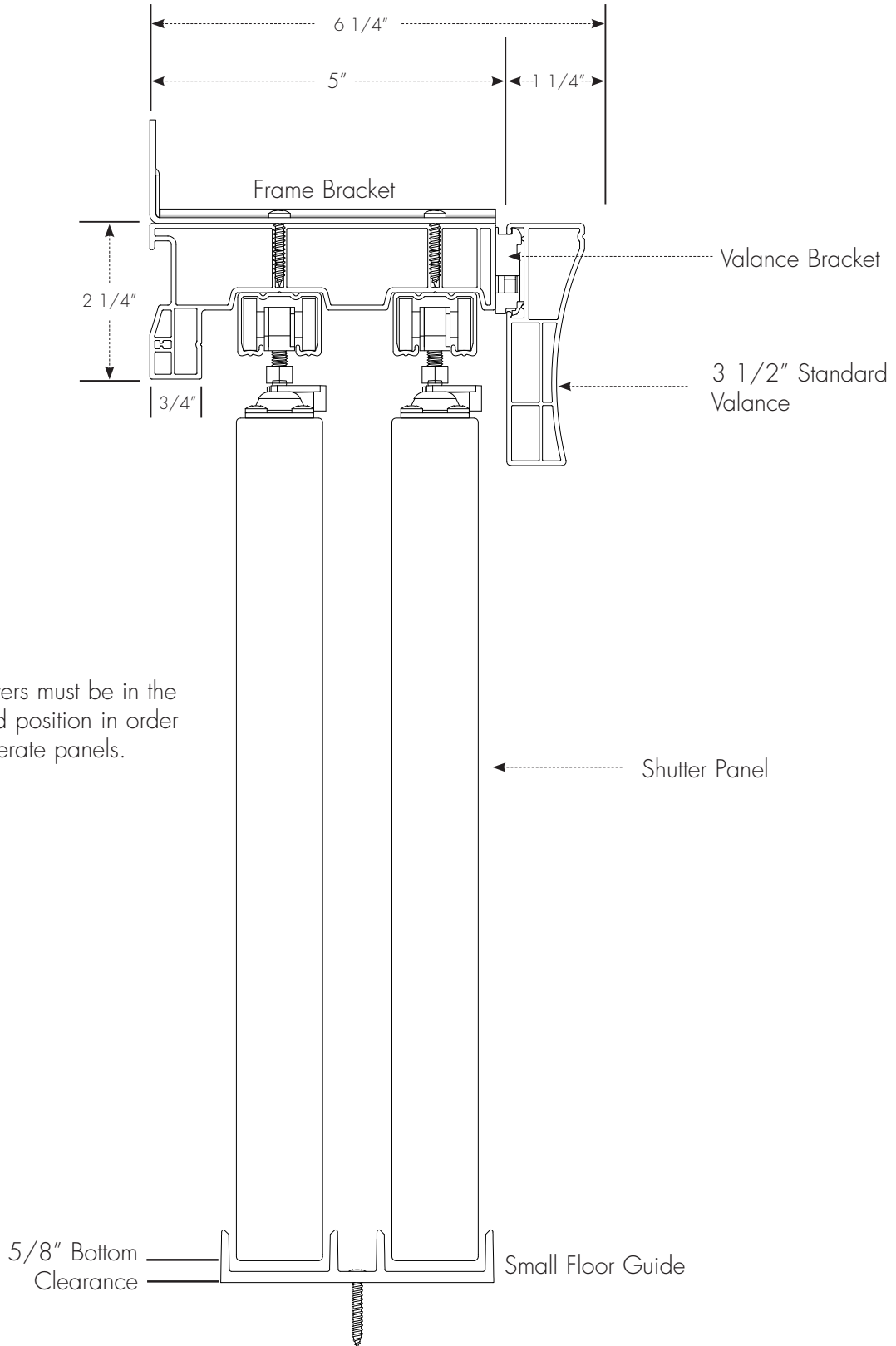
Diagram



Note: Both panels will operate allowing access to the window or door.

Shutters FR - Standard By-Pass Track & Standard Valance

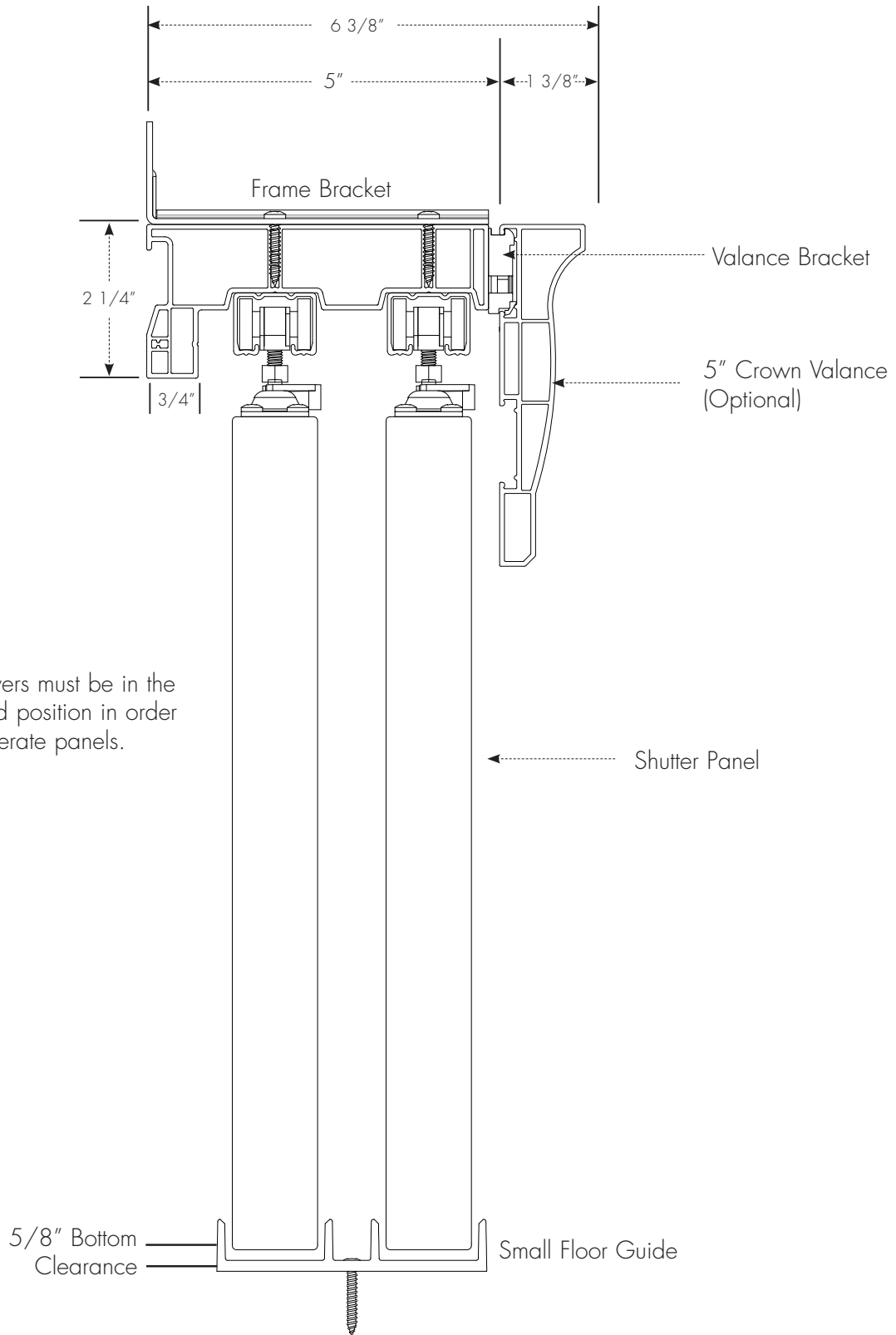
Diagram



*Louvers must be in the closed position in order to operate panels.

Shutters FR - Standard By-Pass Track & Crown Valance

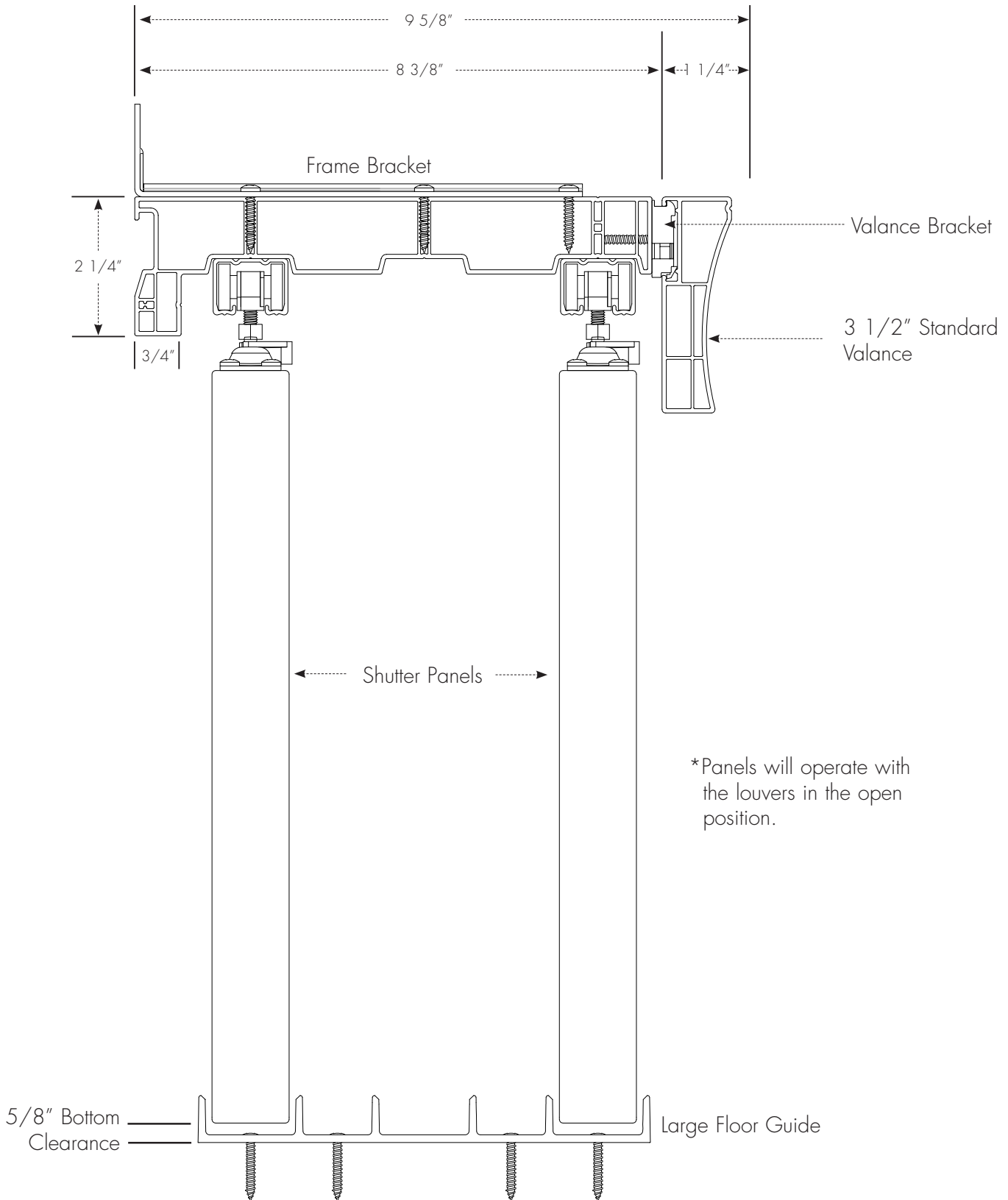
Diagram



*Louvers must be in the closed position in order to operate panels.

Shutters FR - Open By-Pass Track & Standard Valance

Diagram



Shutters FR - Open By-Pass Track & Crown Valance

Diagram

