

RB 500™ 3" Fascia - Sonesse 30 WireFree (li-ion) RTS Motor

Diagram

SPECIFICATIONS

Mount: **Ceiling, Wall, or End Mount**

Tube: **37mm (1.5")**

Shade Width: **30" - 80"**

Light Gap: **Motor End — 3/4" (.75")**

Idle End — 3/4" (.75")

Motor connection: **Built-in Rechargeable Battery**

Power connector: **10" Motor Charging Cable Plug**

Bracket Color: **Grey**

Bracket Cover Colors: **Black, Grey, & White**

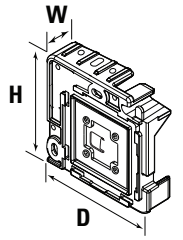
Control Options: **Wireless Wall Switch,**

Wireless Remote, Universal Interface,

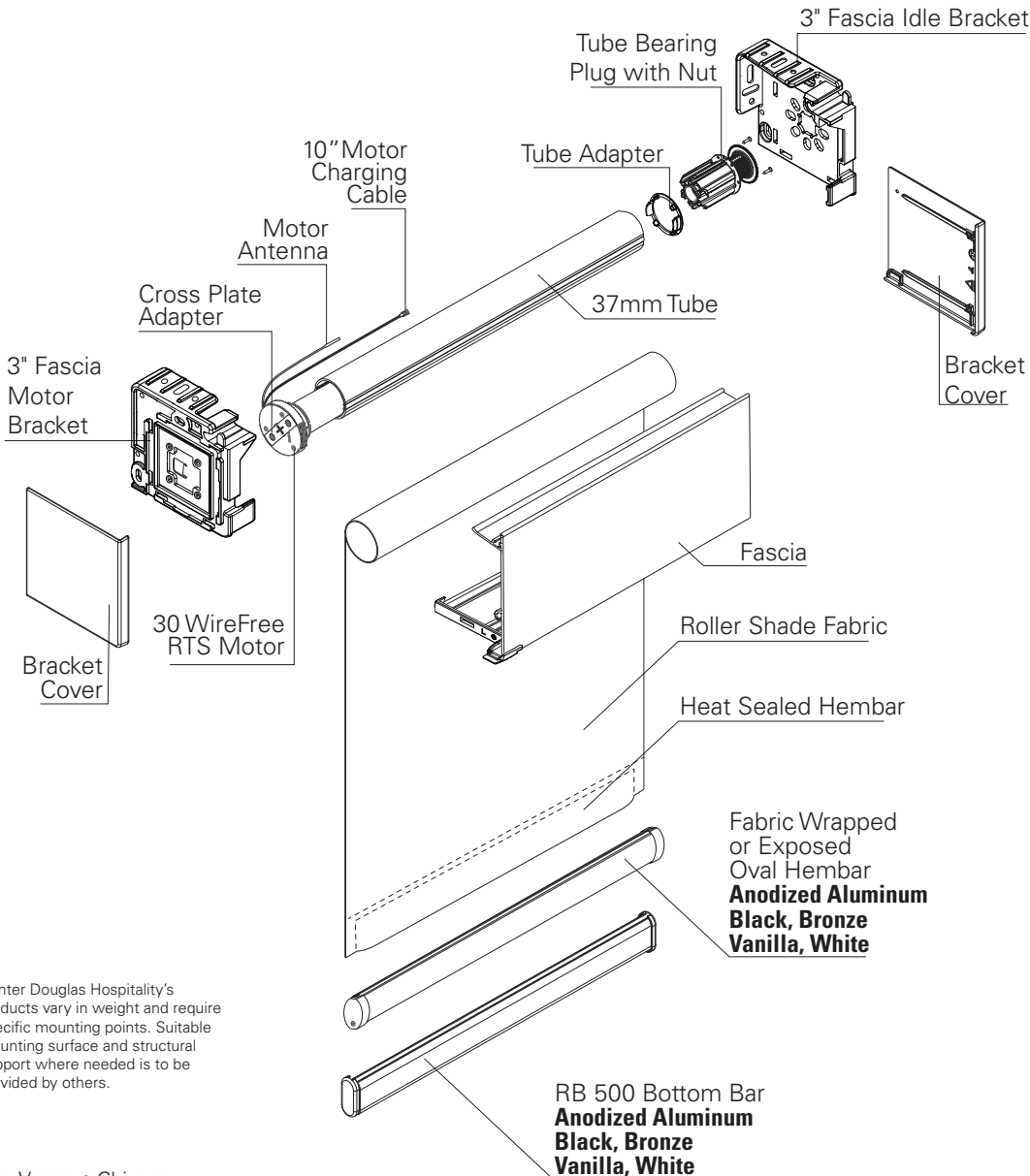
Timer, Sun Sensor, mylink™ RTS Smartphone,

Tablet, and Amazon Alexa Interface

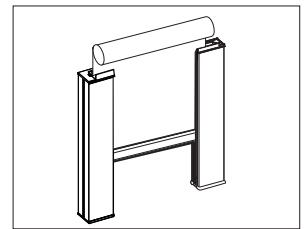
Bracket	Dimensions	Max Roll Up
3" Fascia	3" H x 1" W x 3" D	2-3/4" (2.75")



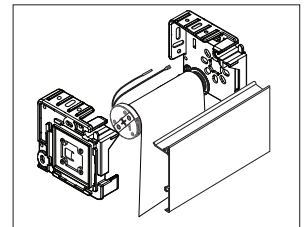
FASCIA COLORS



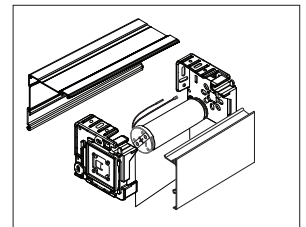
OPTIONS



Side Channels



Reverse Roll Fascia



Back Fascia

Plug-In Charger



Hunter Douglas Hospitality's products vary in weight and require specific mounting points. Suitable mounting surface and structural support where needed is to be provided by others.

Las Vegas • Chicago
800.229.5300
HDhospitality.com

© 2018 Hunter Douglas. All rights reserved. All trademarks used herein are the property of Hunter Douglas or their respective owners.