

Ripplefold Drapery

Drapery

Roll Pleat (brand name Ripplefold®) drapery fabrication attaches the panels to the track with snap tape. This style offers a modern, architectural aesthetic, with a balanced appearance from both sides. This treatment may require less fabric and reduces stack back width compared to pinch pleat drapery.

FABRICATION DETAILS

- Manufactured to Kirsch fabrication specification chart using 4.25" snap tape spacing
- Hemmed flat panels
- Fullness - determined by the spacing of the carriers, 100% standard 60%, 80% or 120% upon request
- Selvage edges are removed or clipped before fabrication as necessary
- Multiple widths joined using overlapped seams and safety stitch
- Hem
 - Bottom: 4" double-folded
 - Side: 1.5" double-turned folds
 - 0.25 oz. corner square lead weight
 - Blind stitched using thread to complement fabric color (blackout is single stitched)
 - Standard hem allowance is double-turn at top and bottom, approximately 12"
 - Available Options: Double Turn Hem, Shot Tape for Sheers

SIZING

- Order drapery as rod width x finished length

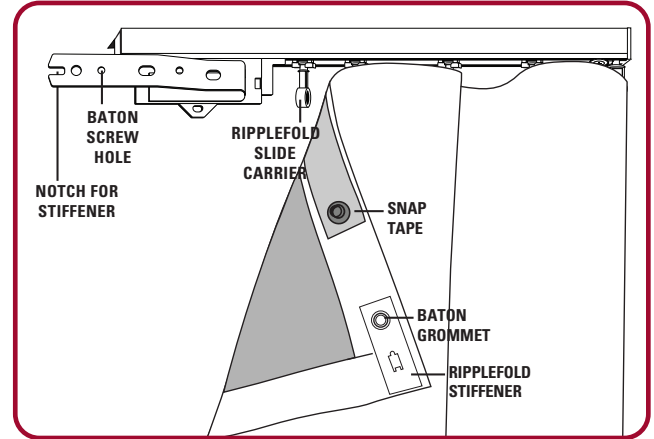
SNAPS

- Snap tape (sewn into the header of the panel) attaches the drapery to the carrier
- Snaps are composed of nickel plated brass to resist corrosion or rust

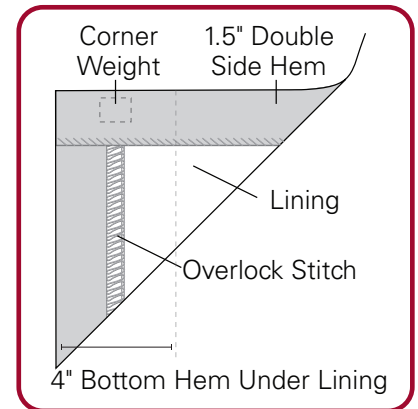
NOTE

- Roll Pleat drapery hangs slightly below the hardware and thus does not provide complete blackout
- All specified fabrics must meet NFPA 701 fire rating requirements
- Hunter Douglas Hospitality accepts COM (customer supplied fabric), provides buy-out service from a specified vendor, or can offer drapery fabrics from our collection

RIPPLEFOLD DIAGRAM



HEM DETAIL



FULLNESS CHART

120%	
100% Standard	
80%	
60%	

Hunter Douglas Hospitality's products vary in weight and require specific mounting points. Suitable mounting surface and structural support where needed is to be provided by others.