

# Roller Shade Fabric Wrapped Header

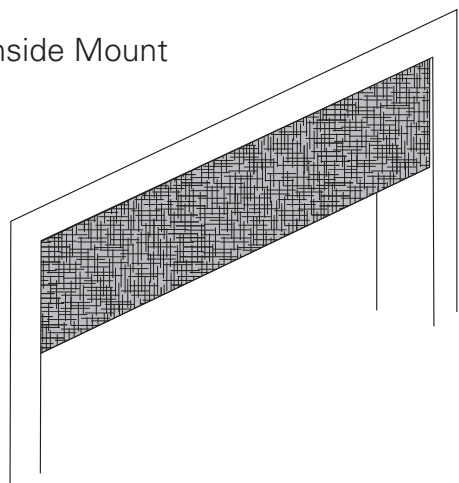
## Fabrication

Coordinate your roller shade fabric with a custom fabric wrapped header. The header is designed to house any of our RB 500 Roller Shade brackets.

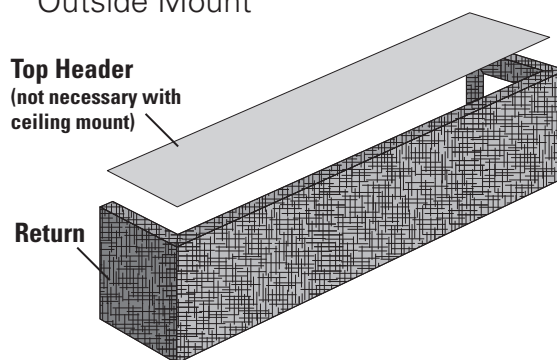
### Key Features

- Fabric wrapped header conceals the roller shade operating system
- Matching top-treatment for the shade provides a complete custom look
- Minimum 4" returns\* required for Outside Mount
- Available as Inside Mount, Outside Mount, and Blockout
- Visit [HDhospitality.com](http://HDhospitality.com) for available fabric options

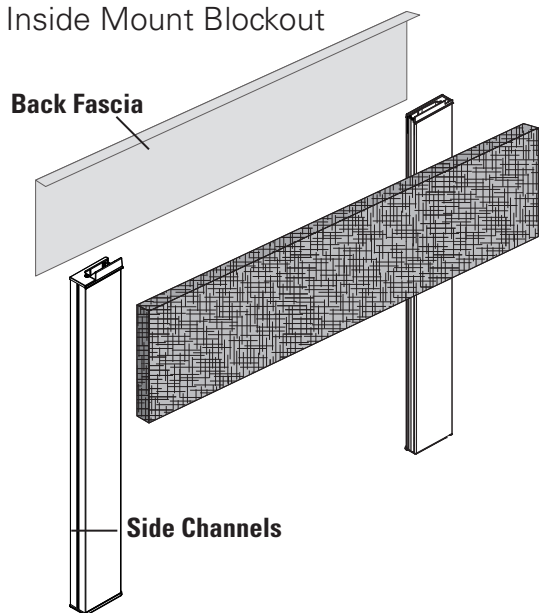
Inside Mount



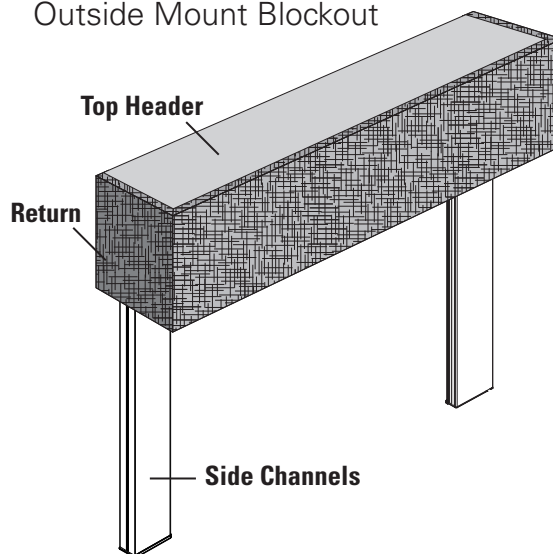
Outside Mount



Inside Mount Blockout



Outside Mount Blockout



\*Depth of returns is determined by window covering product being concealed by the header

Hunter Douglas Hospitality's products vary in weight and require specific mounting points. Suitable mounting surface and structural support where needed is to be provided by others.