

# RB 500™ 3" Fascia - Sonesse 40 WireFree (li-ion) RTS Motor

## Diagram

### SPECIFICATIONS

Mount: **Ceiling, Wall, or End Mount**

Tube: **50mm (2")**

Shade Width: **35" - 120"**

Light Gap: **Motor End — 3/4" (.75")**

**Idle End — 3/4" (.75")**

Motor connection: **Built-in Rechargeable Battery**

Power connector: **10" Motor Charging Cable Plug**

Bracket Color: **Grey**

Bracket Cover Colors: **Black, Grey, & White**

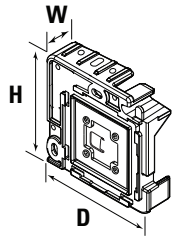
Control Options: **Wireless Wall Switch,**

**Wireless Remote, Universal Interface,**

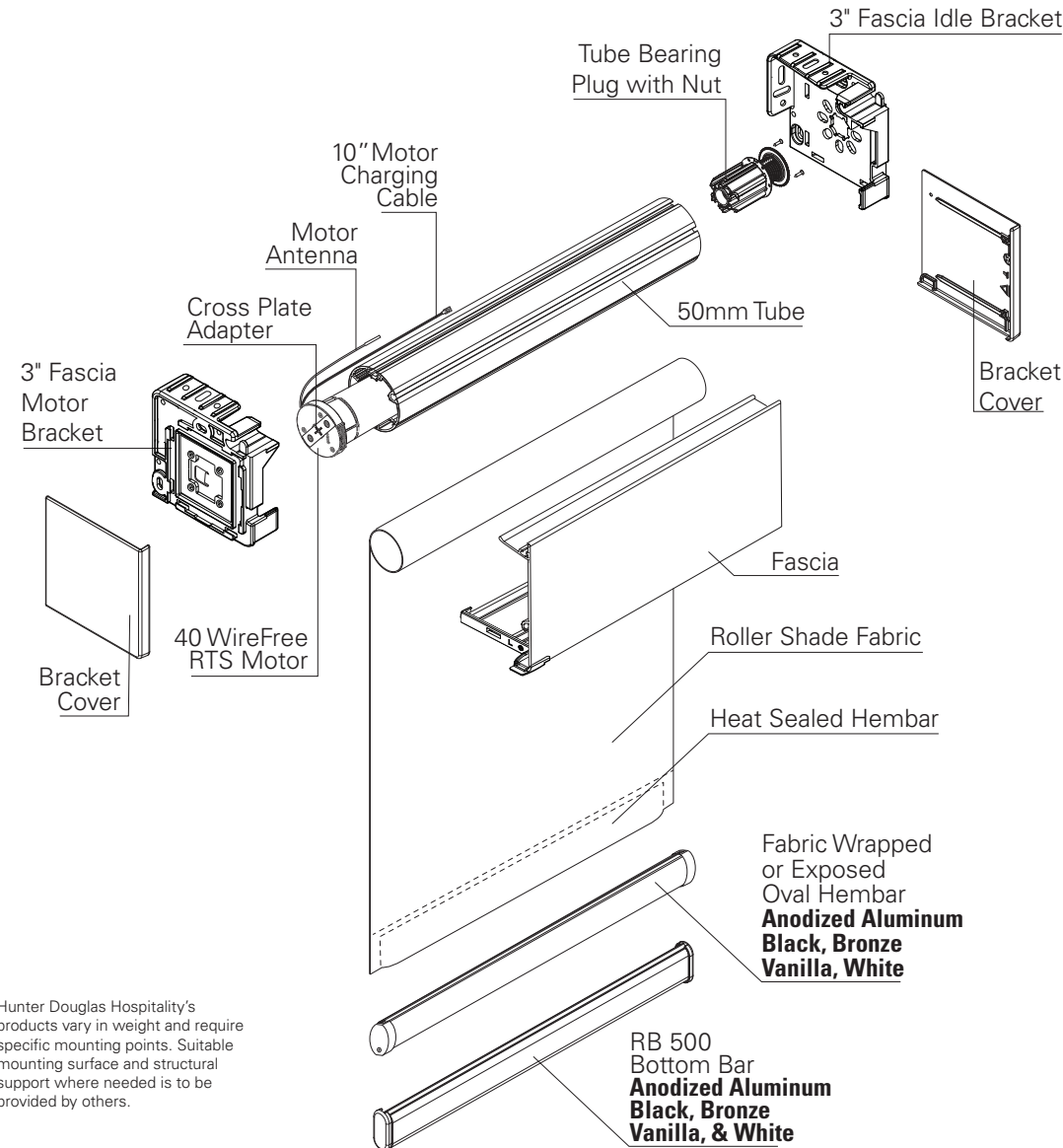
**Timer, Sun Sensor, mylink™ RTS Smartphone,**

**Tablet, and Amazon Alexa Interface**

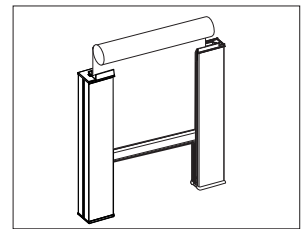
Bracket	Dimensions	Max Roll Up
3" Fascia	3" H x 1" W x 3" D	2-3/4" (2.75")



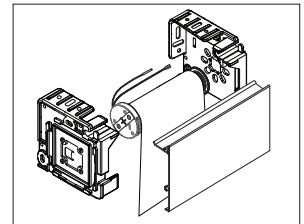
### FASCIA COLORS



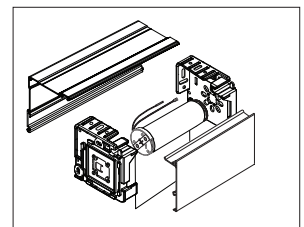
### OPTIONS



Side Channels



Reverse Roll Fascia



Back Fascia

### Plug-In Charger



Hunter Douglas Hospitality's products vary in weight and require specific mounting points. Suitable mounting surface and structural support where needed is to be provided by others.

Las Vegas • Chicago  
800.229.5300  
HDhospitality.com

© 2021 Hunter Douglas. All rights reserved. All trademarks used herein are the property of Hunter Douglas or their respective owners.