

Blockout System Manual Clutch Installation

TOOLS NEEDED



Pencil



Measuring
Tape



Level



Drill with
bits



Screwdriver

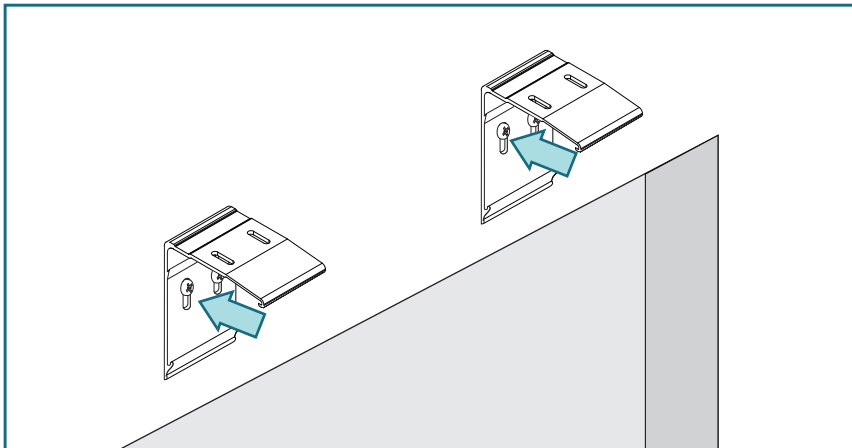


Allen Key
(provided with
optional Leveler)



Pliers

INSTALLING THE TOP/BACK COVER BRACKETS



Mount into wood or metal studs or into concrete with concrete anchors. Drywall anchors are not recommended.

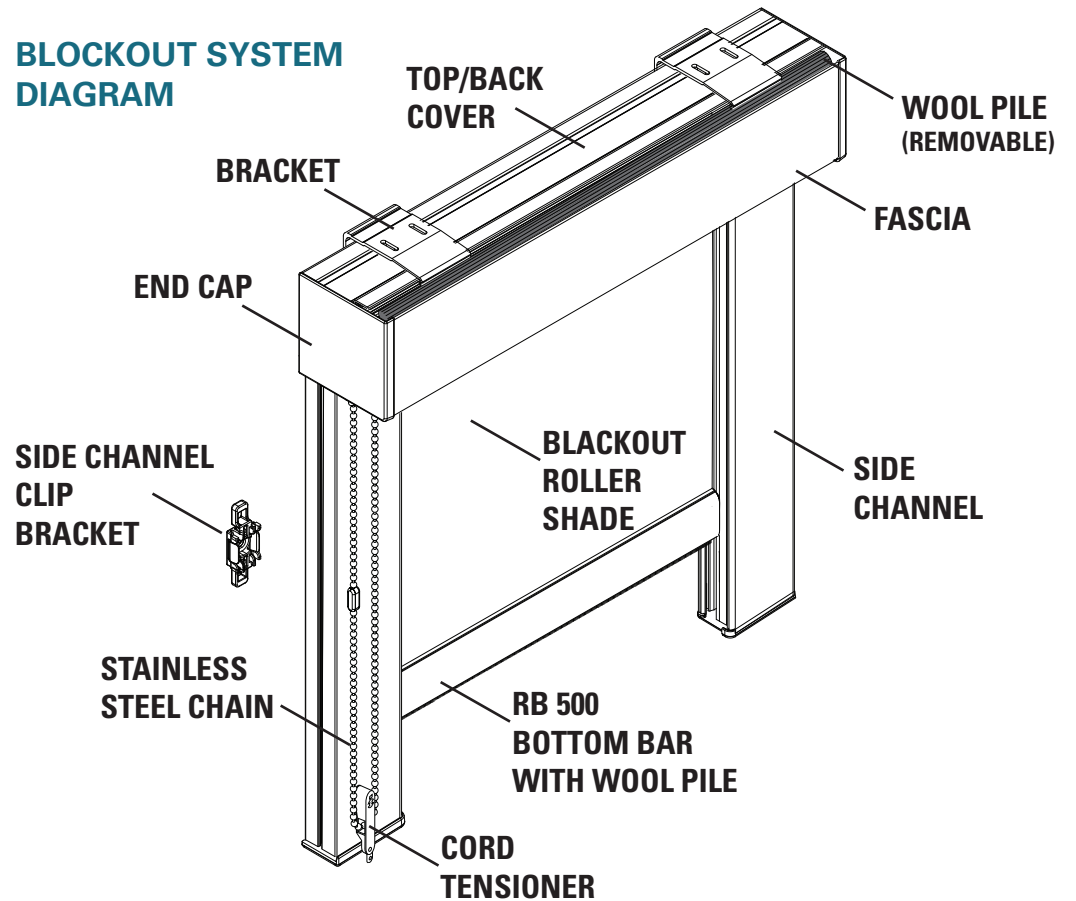
Determine the mounting location.
a) surface/wall b) ceiling c) on frame d) in recess

Measure and mark the bracket locations with a pencil.

Mount brackets with the screws provided. Pre-drilling is recommended.

Check that the brackets are level and aligned.

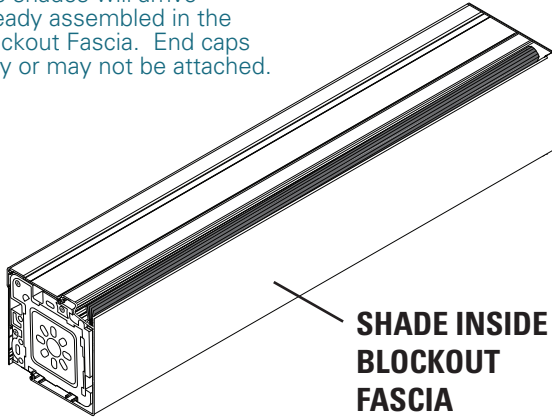
BLOCKOUT SYSTEM DIAGRAM



Blockout System Manual Clutch Installation

INSTALLING THE BLOCKOUT FASCIA - Do not remove the tape around the shade until it is fully installed

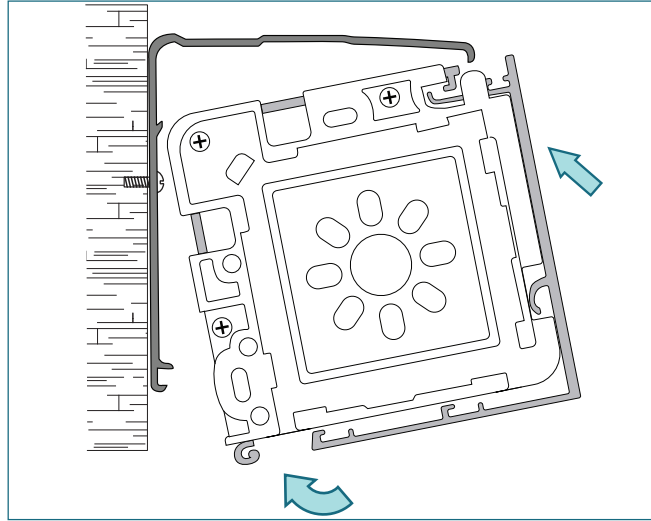
The shades will arrive already assembled in the Blockout Fascia. End caps may or may not be attached.



**SHADE INSIDE
BLOCKOUT
FASCIA**

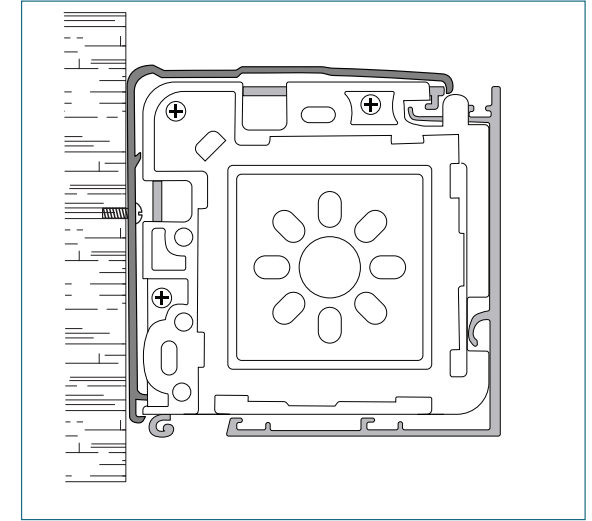


END CAP



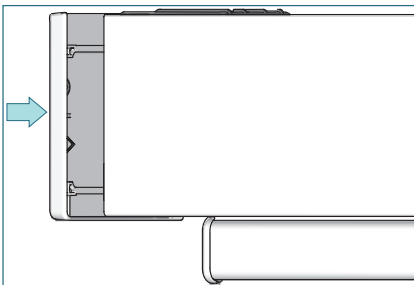
Angle the Blockout Fascia so that the brackets catch the lip on the top fascia.

Push the Blockout Fascia up towards the back until it snaps into the brackets. It will click into place.



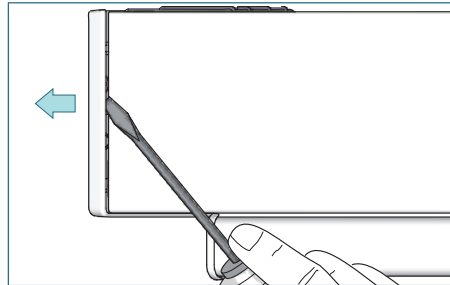
Blockout Fascia properly attached to brackets.

END CAP INSTALLATION



Slide the end caps on to the brackets.

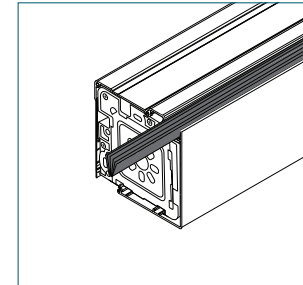
END CAP REMOVAL



Place a flathead screwdriver under the end cap on the front of the fascia.

Turn the screwdriver and slide the end cap from the bracket.

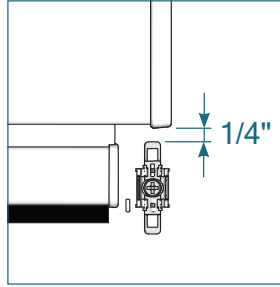
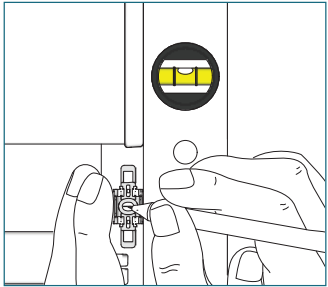
WOOL PILE REMOVAL



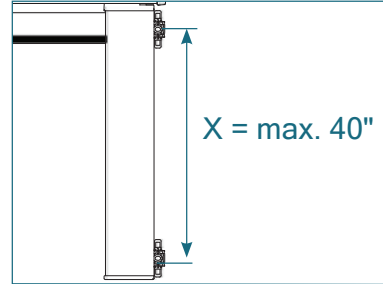
Remove end cap. Slide wool pile out of the fascia.

Blockout System Manual Clutch Installation

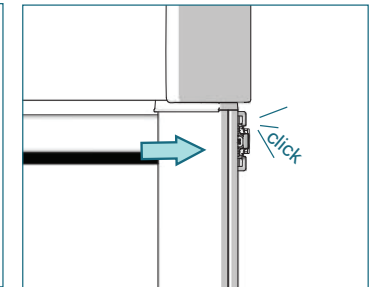
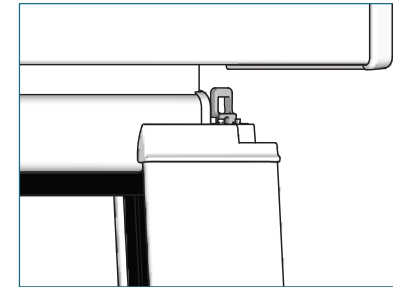
INSTALLING THE SIDE CHANNELS



- Level the clip bracket with the outer edge of the end cap of the Blockout Fascia.
- Leave approximately 1/4" below the end cap. Mark the position of the screw.
- Fix the clip into place with the provided screw.
- Repeat this process on the opposite side.

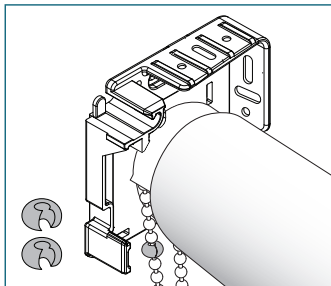


- Use the side channel as a guide to properly position the lower clip.
- Level the lower clip and mark the position of the screw.
- Fix the clip into place with the provided screw.
- Repeat the process on the opposite side.



- Remove the tape from the shade
- Insert the shade into the Side Channel.
- Place the Side Channel above the top clip.
- Snap the back of the side channel into the clips.
- Repeat the process on the opposite side.

BALL STOP INSTALLATION



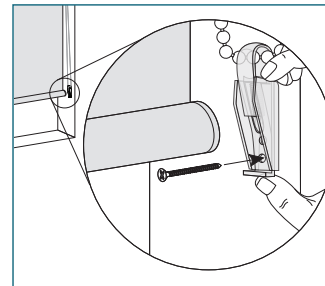
SET LOWER LIMIT

Lower shade to the bottom of the window opening. Place a ball stop over the chain in front of the clutch and secure using pliers.

SET UPPER LIMIT

Raise shade to the desired height. Place a ball stop over the chain in back of the clutch and secure using pliers.

CORD TENSIONER INSTALLATION



Be sure the cord tensioner is not placed in the path of the bottom rail and fabric.

Unlock the cord tensioner by removing the plug from the screw hole and pushing down.

Hold the cord tensioner firmly in place and check that the bead chain, ball stop, and chain connector can move freely through it. The chain should not be taught.

Mark the screw hole with a pencil. Attach the cord tensioner directly to the wall using a 1½" screw. Use a wall anchor if necessary.

CHECK SHADE OPERATION

Make sure the shade operates properly. Pull the front chain down to raise the shade. Pull the back chain down to lower the shade.