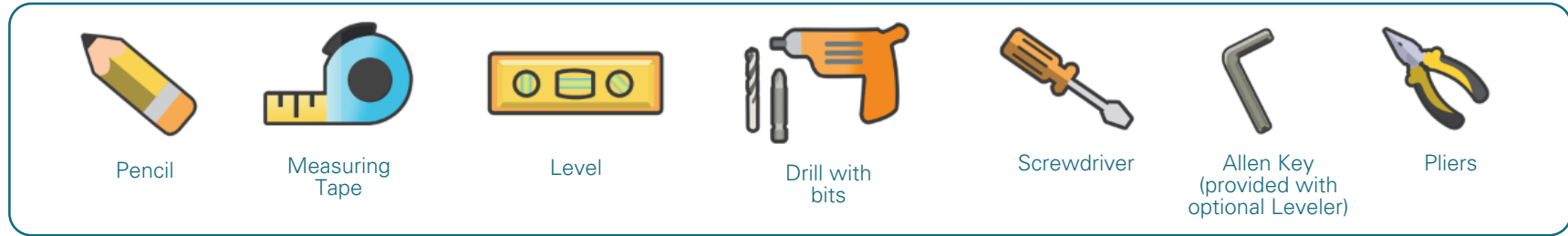
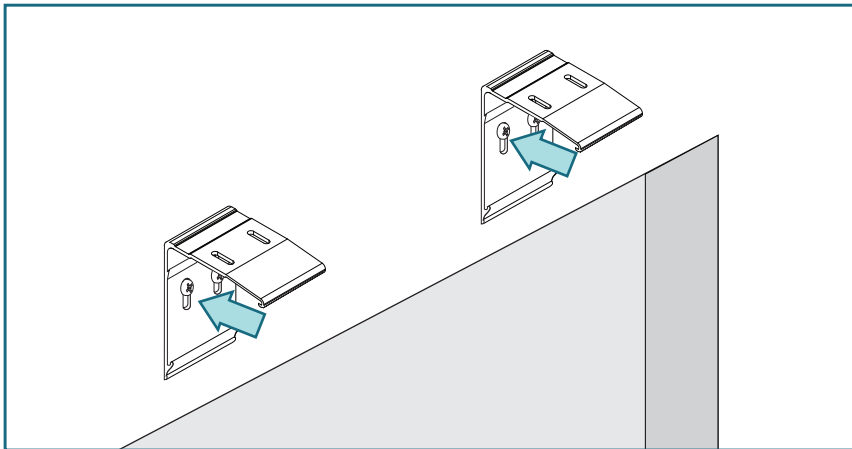


## Blockout System Motorized Installation

### TOOLS NEEDED



### INSTALLING THE TOP/BACK COVER BRACKETS



Mount into wood or metal studs or into concrete with concrete anchors. Drywall anchors are not recommended.

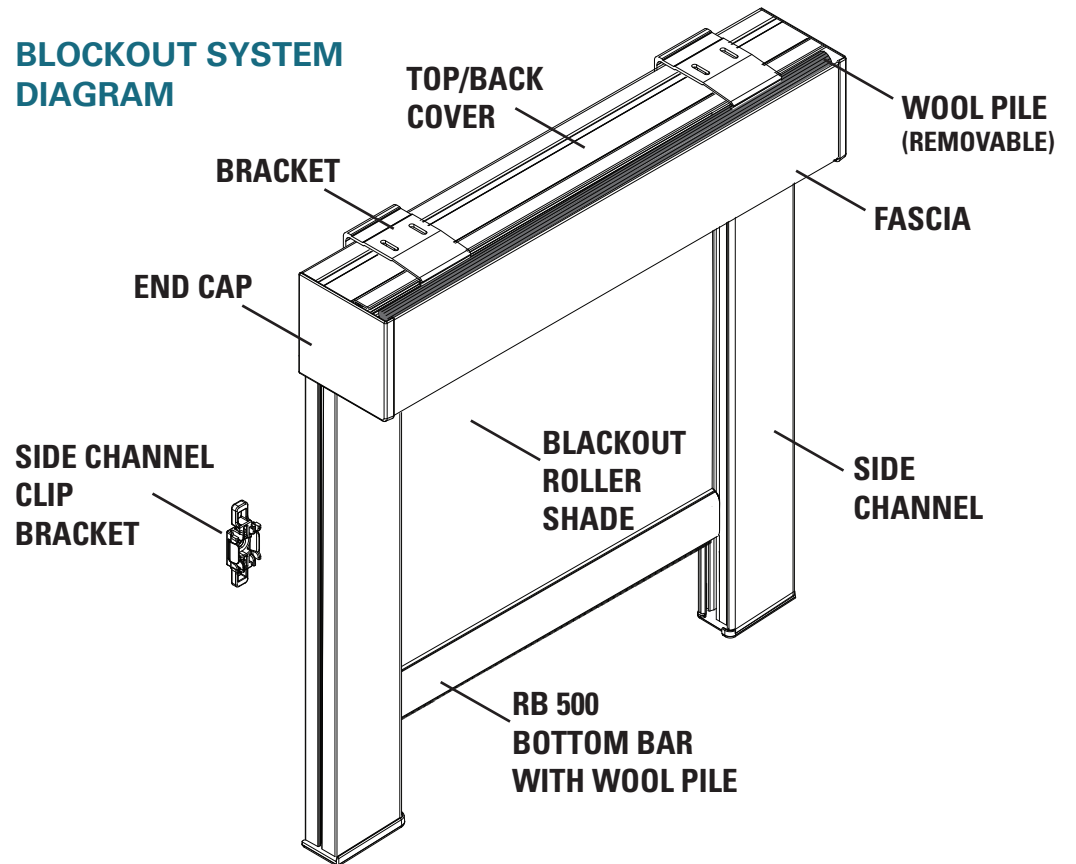
Determine the mounting location.  
a) surface/wall b) ceiling c) on frame d) in recess

Measure and mark the bracket locations with a pencil.

Mount brackets with the screws provided. Pre-drilling is recommended.

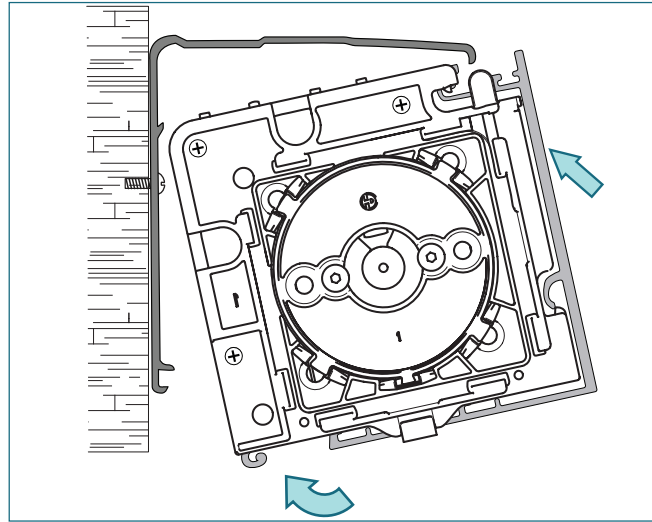
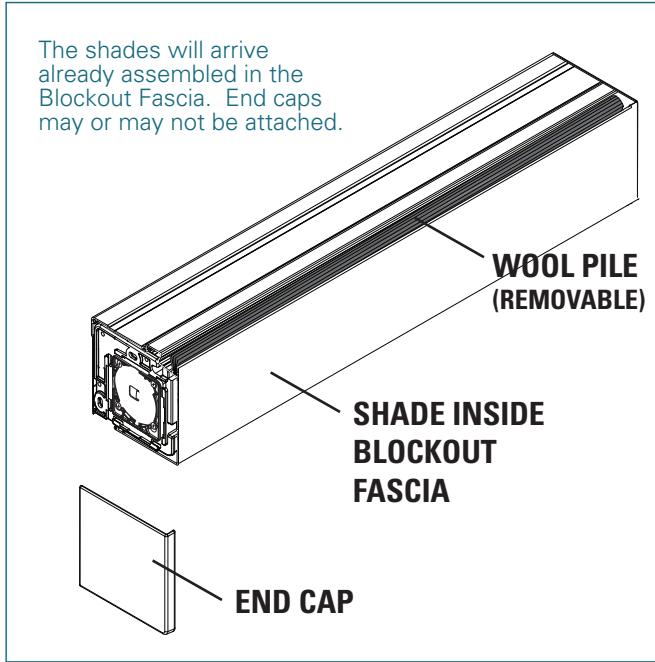
Check that the brackets are level and aligned.

### BLOCKOUT SYSTEM DIAGRAM



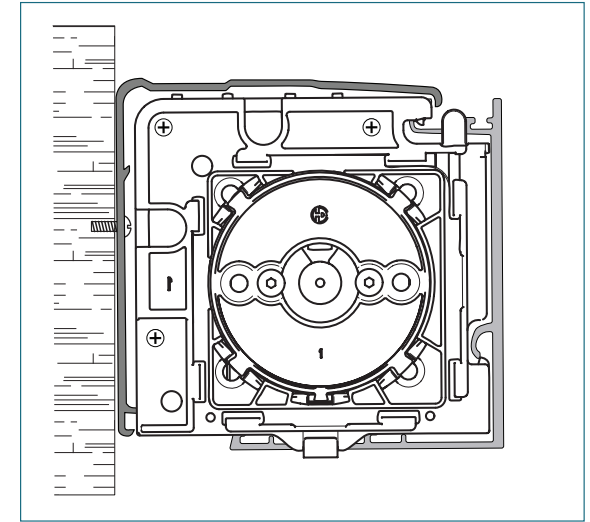
## Blockout System Motorized Installation

### INSTALLING THE BLOCKOUT FASCIA - Do not remove the tape around the shade until it is fully installed



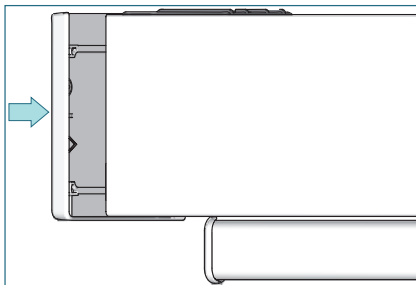
Angle the Blockout Fascia so that the brackets catch the lip on the top fascia.

Push the Blockout Fascia up towards the back until it snaps into the brackets. It will click into place.



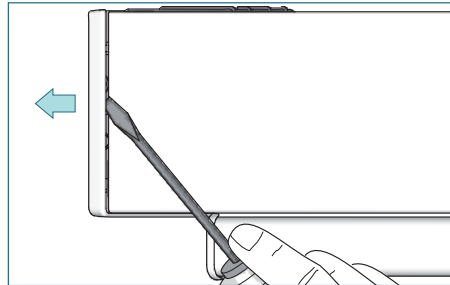
Blockout Fascia properly attached to brackets.

### END CAP INSTALLATION



Slide the end caps on to the brackets.

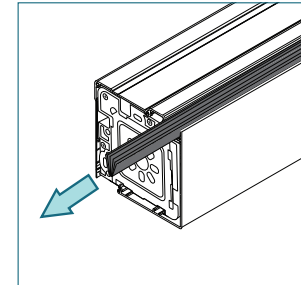
### END CAP REMOVAL



Place a flathead screwdriver under the end cap on the front of the fascia.

Turn the screwdriver and slide the end cap from the bracket.

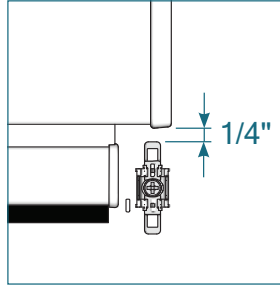
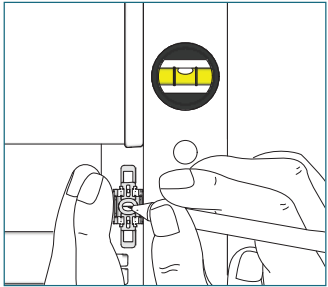
### WOOL PILE REMOVAL



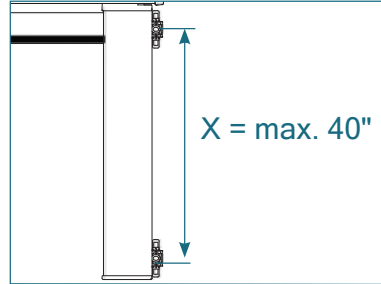
Remove end cap. Slide wool pile out of the fascia.

## Blockout System Motorized Installation

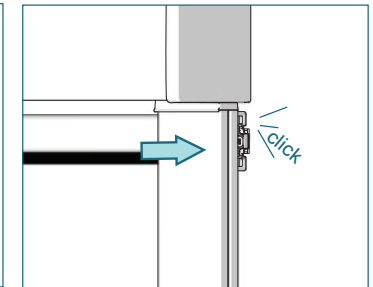
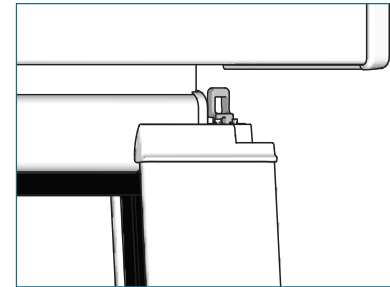
### INSTALLING THE SIDE CHANNELS



- Level the clip bracket with the outer edge of the end cap of the Blockout Fascia.
- Leave approximately 1/4" below the end cap. Mark the position of the screw.
- Fix the clip into place with the provided screw.
- Repeat this process on the opposite side.



- Use the side channel as a guide to properly position the lower clip.
- Level the lower clip and mark the position of the screw.
- Fix the clip into place with the provided screw.
- Repeat the process on the opposite side.



- Remove the tape from the shade
- Insert the shade into the Side Channel.
- Place the Side Channel above the top clip.
- Snap the back of the side channel into the clips.
- Repeat the process on the opposite side.

### CHECK SHADE OPERATION

Make sure the shade operates properly. Use separate wiring information per motor type and programming instructions from [HDhospitality.com](http://HDhospitality.com)