

Classic Plus Roman Shade - Manual

Fabricated Products

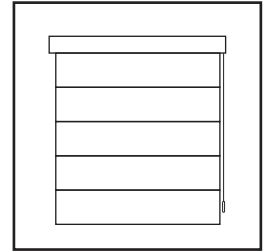
The Classic Plus Roman Shade combines the traditional style of a Roman shade with a modern roller shade blackout system.

FEATURES

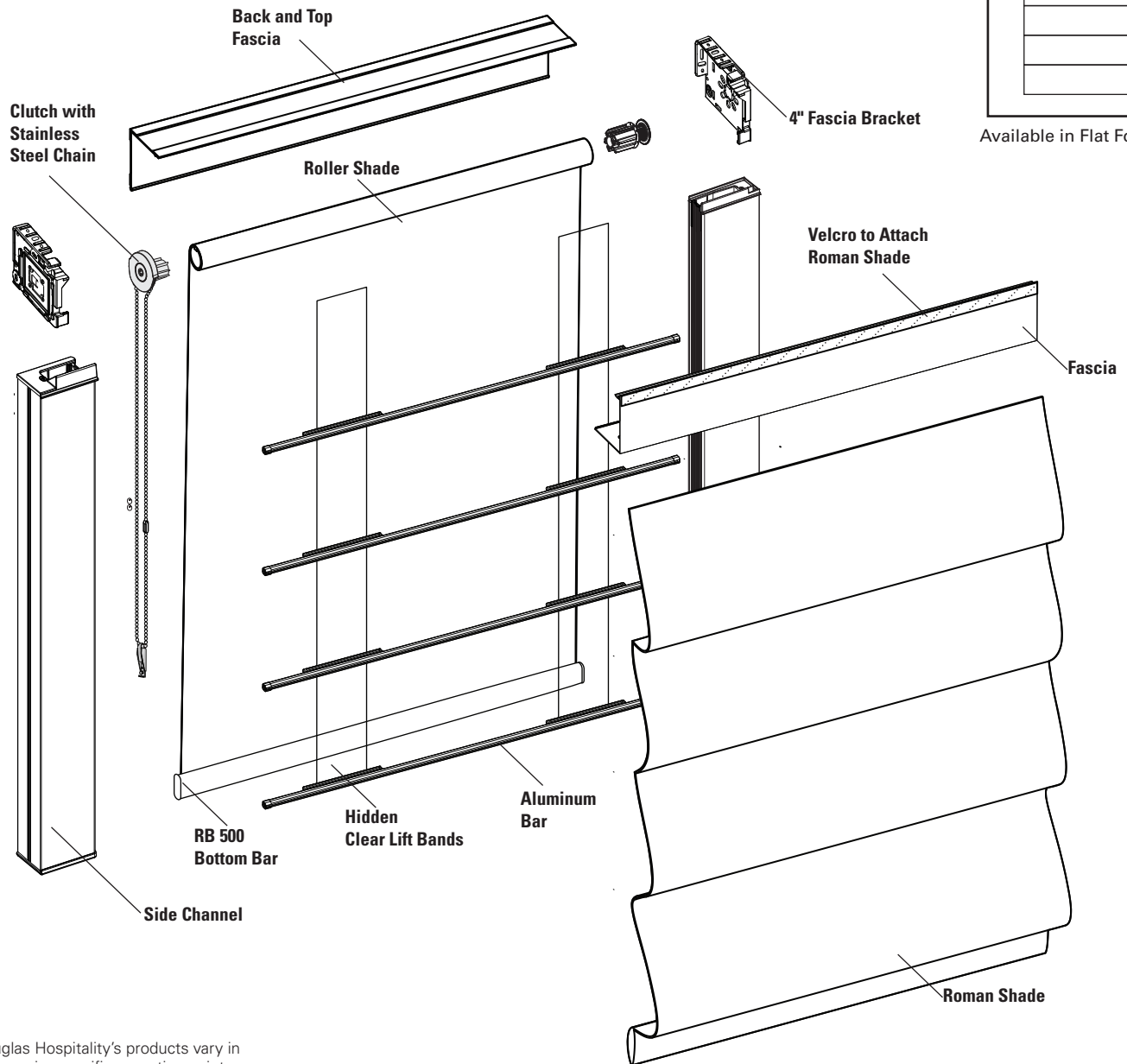
- Roman Shade and Blackout Roller Shade raise and lower together with hidden lift bands
- Side channels and RB 500 bottom bar on the roller shade eliminate light leakage at the sides and sill of the window
- Available with all fabricated Roman Shade styles

SPECIFICATIONS

Minimum Width **30"**
 Maximum Width **60"**
 Maximum Length **70"**
 Headrail Depth **4"**



Available in Flat Fold Option

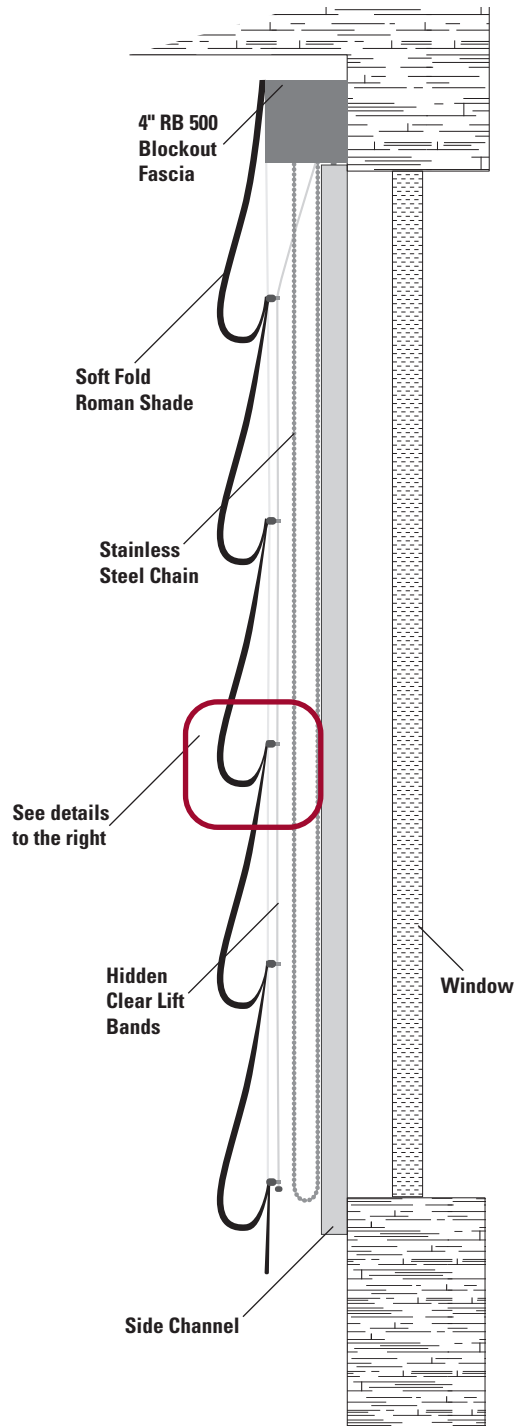


Hunter Douglas Hospitality's products vary in weight and require specific mounting points. Suitable mounting surface and structural support where needed is to be provided by others.

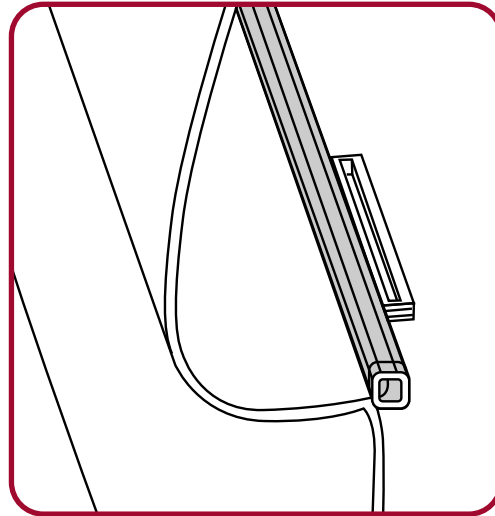
Classic Plus Roman Shade - Manual

Fabricated Products

Side View



Aluminum Bar Detail



Hidden Clear Band Detail

