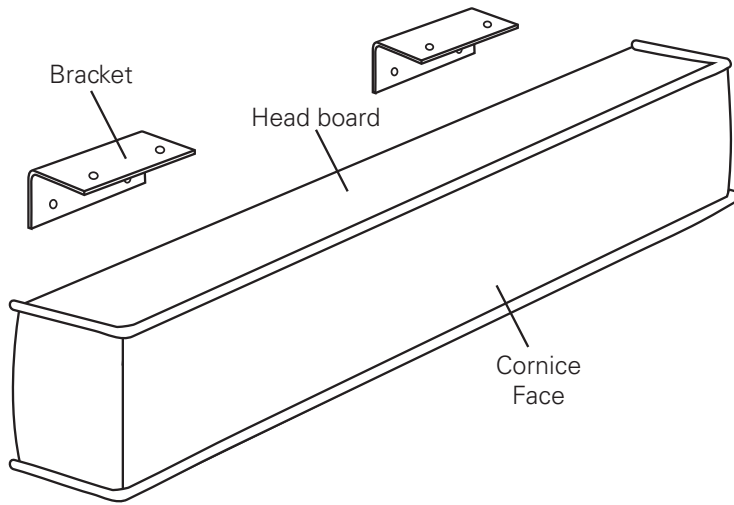


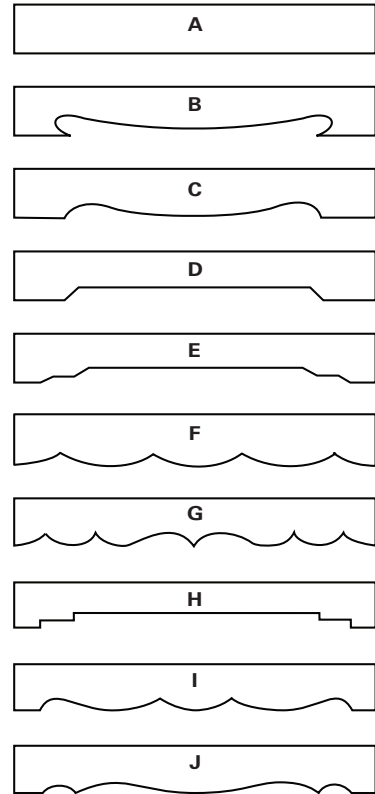
# Cornice

## Fabricated Products

### DIAGRAM



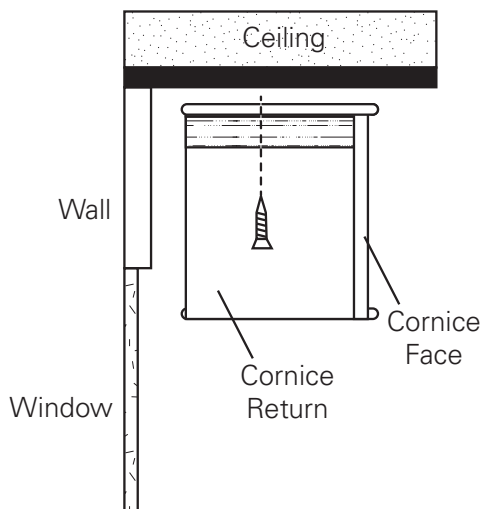
### STYLE OPTIONS



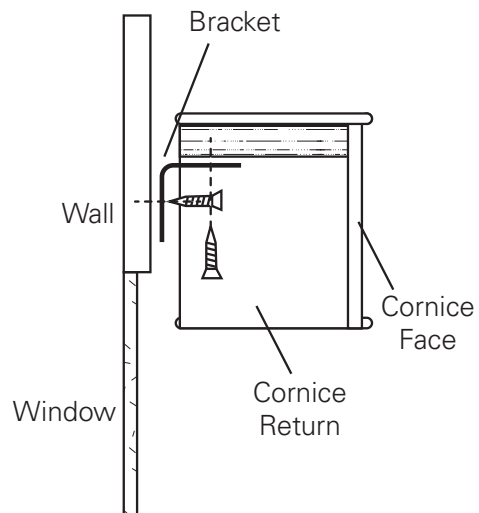
### DESIGN OPTIONS

- Banding may be added to styles A, D, and H
- Trim options and contract welting are also available
- Styles B, C, and J not recommended for lengths over 75"

### CEILING MOUNT



### WALL MOUNT



Hunter Douglas Hospitality's products vary in weight and require specific mounting points. Suitable mounting surface and structural support where needed is to be provided by others.