

# PowerView® Bottom-Up (Standard)

**SPECIFICATIONS (Varies based on fabric/power/mount method)**

Minimum Width HMRBW 18.5"(21" if End Mount) IRB 23"(24" if > 108" H)  
 Maximum Width **LF 120"/144" RD 108"/144"**  
 Minimum Height 6"  
 Maximum Height 144"  
 Maximum Square Feet **LF 111"/103" RD 108"/96"**  
 Hardware Color **Coordinates with the fabric**

LF Light Filtering  
 RD Room Darkening

**Two listed maximum widths and square feet indicate two ranges:**  
**1st larger max area up to lower first max width.**  
**2nd smaller max area up to higher second width.**

**POWER OPTIONS**

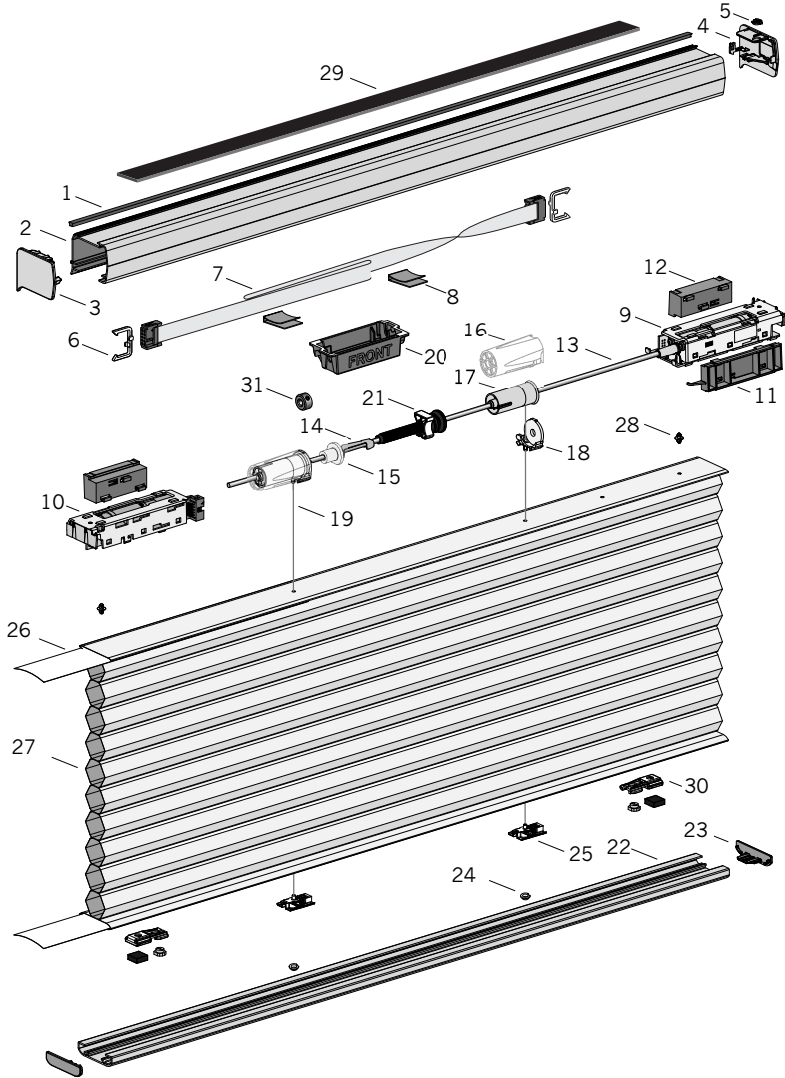
**Rechargeable Battery Wand (Standard)**  
 Voltage 18  
 Battery Life **Approximately one year depending on shade type, size, and usage**

**Additional Power Supplies (must be specified)**

C-Size Battery Wand  
 18V DC Power Supply  
 Satellite Battery Pack

**CONTROL OPTIONS**

PowerView Surface  
 PowerView Remote with Pebble  
 PowerView Mobile App



Mounting Requirements	HMRBW		IRB	
	Headrail-Mounted Rechargeable Battery Wand (Standard)		Internal Rechargeable Battery, Satellite Battery Pack, C-Size or Rechargeable Battery Wand or DC Power Supply (Optional)	
<b>Pleat Size</b>	3/8" and 3/4"	1 1/4"	3/8" and 3/4"	1 1/4"
Minimum casement depth, Inside Mount (A)	1 1/4"	1 1/4"	1/2"	1/2"
Minimum casement depth, End Mount	2"	2"	1 1/4"	1 1/4"
Minimum casement depth, Fully Recessed (B)	3 3/8"	4"	2 1/4"	3 3/8"
Minimum mounting surface height Outside Mount	1 1/4"	1 1/4"	1 1/4"	1 1/4"

Hunter Douglas Hospitality's products vary in weight and require specific mounting points. Suitable mounting surface and structural support where needed is to be provided by others.

# PowerView® Bottom-Up (Standard)

No.	PCN	Description
1.	2780229002	Headrail Light Block Strip
2.	Headrail	
	See <a href="#">Headrails</a>	
3.	LH Headrail End Cap	
	See <a href="#">Headrail End Caps. Left</a>	
4.	RH Headrail End Cap Assembly	
	See <a href="#">Headrail End Caps. Right</a>	
5.	1036011	End Cap Twist Lock, 3/4" & 1 1/4"
	2780478000	Clutch Lock, 3/8" only
6.	1037410	PVG3Tsukasa Main Motor
7.	1046932	1 1/4" Adapter Plate (1 1/4" only)
8.	2770004000	V-Shaft (steel)
9.	Screw Shaft Retainer	
	1040390	Standard spool screw
	1046378	Long drop spool screw
10.	Lift Spool	
	1019884	Standard (gray)
	1021054	Long Drop (gray)
11.	Lift Spool Support	
	2780033000	Standard
	2780105000	Long Drop
12.	1003020	0.9 mm Cord, White
13.	Bottom Rail	
	See <a href="#">Bottom Rails</a>	
14.	Bottom Rail End Cap	
	See <a href="#">Bottom Rail End Caps</a>	
15.	2780923000	EasyAdjust Pocket Cover (4000/ carton)
16.	EasyAdjust Assembly	
	1046406	3/8", 3/4"
	1046405	1 1/4"
17.	Filler Strip	
	2954000000	3/8"
	1000002	3/4"
	2971311000	1 1/4"
18.	N/A	Fabric
19.	2911677000	PV SMM Fabric Lock Pin, 3/8" & 3/4" only
20.	PVTsukasa Lens	
	1046379	3/4"
	1046380	1 1/4"
21.	1043178	Barrel connector pigtail
22.	1046903	FCC Label

Single-Motor Shades ONLY

23.	Fabric Stack Lock	
	1023366	3/4"
	1023365	1 1/4"

No.	PCN	Description
		Shades with AOS ONLY
24.	2970035000	3/4" Magnet Strip with Foam

Not Shown

Weights (Optional)	
2982129000	3"
2982128000	6"

XXX = 3-digit color code