

# PowerView® Top-Down

**SPECIFICATIONS (Varies based on fabric/power/mount method)**

- Minimum Width HMRBW 18.5"(21" if End Mount) IRB 24"(25" if > 108" H)
- Maximum Width **LF 120"/144" RD 108"/144"**
- Minimum Height 6"
- Maximum Height 144"
- Maximum Square Feet **LF 111"/103" RD 108"/96"**
- Hardware Color **Coordinates with the fabric**

LF Light Filtering  
RD Room Darkening

**Two listed maximum widths and square feet indicate two ranges:**  
**1st** larger max area up to lower first max width.  
**2nd** smaller max area up to higher second width.

**POWER OPTIONS**

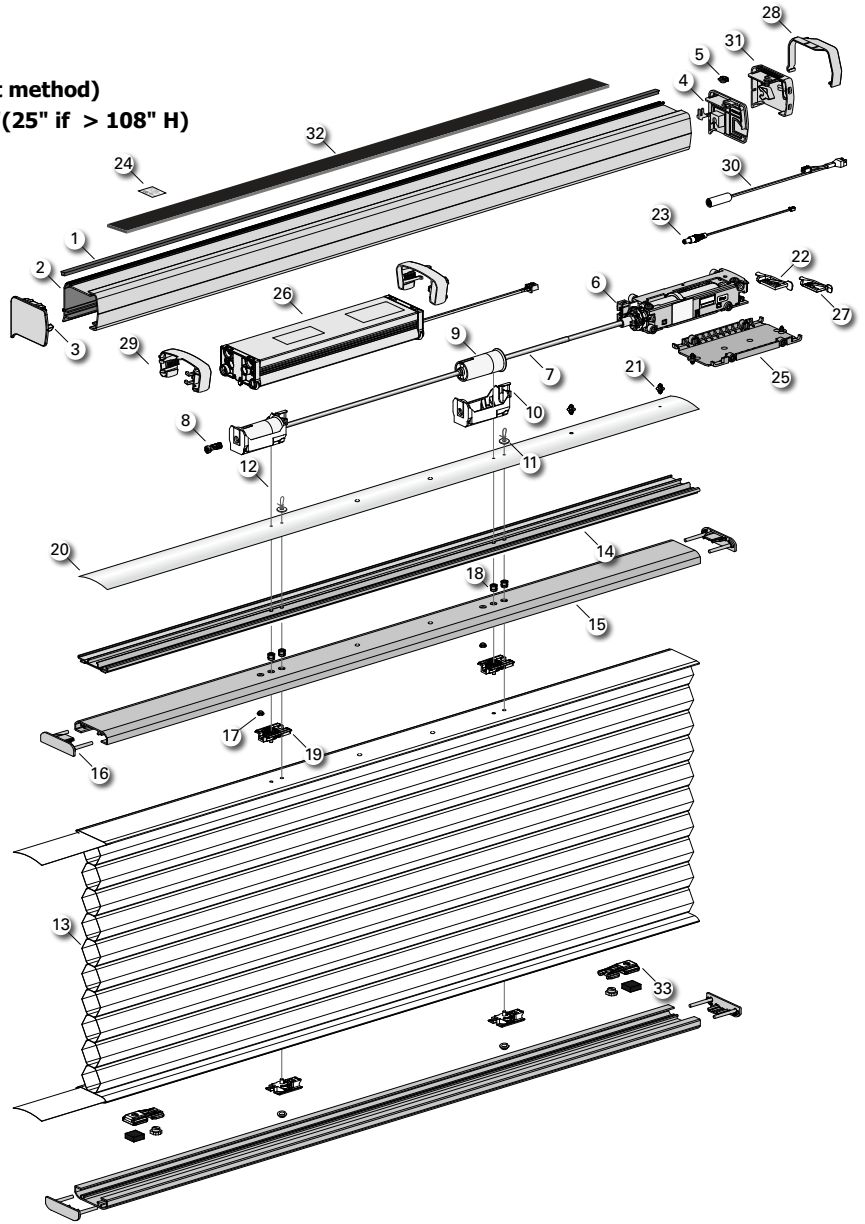
**Rechargeable Battery Wand (Standard)**  
 Voltage 18  
 Battery Life **Approximately one year**  
**depending on shade type, size, and usage**

**Additional Power Supplies (must be specified)**

- C-Size Battery Wand
- 18V DC Power Supply
- Satellite Battery Pack

**CONTROL OPTIONS**

- PowerView Surface
- PowerView Remote with Pebble
- PowerView Mobile App



| Mounting Requirements                         | HMRBW   |        | IRB  |        |
|---|---|--------|--|--------|
|   | Headrail-Mounted Rechargeable Battery Wand (Standard) |        | Internal Rechargeable Battery, Satellite Battery Pack, C-Size or Rechargeable Battery Wand or DC Power Supply (Optional) |        |
|   |   |        |  |        |
| <b>Pleat Size</b>                             | 3/8" and 3/4"   | 1 1/4" | 3/8" and 3/4"  | 1 1/4" |
| Minimum casement depth, Inside Mount (A)      | 1 1/4"  | 1 1/4" | 1/2"   | 1/2"   |
| Minimum casement depth, End Mount             | 2"  | 2"     | 1 1/4"   | 1 1/4" |
| Minimum casement depth, Fully Recessed (B)    | 3 3/8"  | 4"     | 2 1/4"   | 3 3/8" |
| Minimum mounting surface height Outside Mount | 1 1/4"  | 1 1/4" | 1 1/4"   | 1 1/4" |

Hunter Douglas Hospitality's products vary in weight and require specific mounting points. Suitable mounting surface and structural support where needed is to be provided by others.

# Top-Down

**NOTE: This design option is not available in Canada.**

| <b>No.</b> | <b>PCN</b>                         | <b>Description</b>                    | <b>No.</b>   | <b>PCN</b>                   | <b>Description</b>                                    |
|------------|------------------------------------|---------------------------------------|--|------------------------------|---|
| 1.         | 2780229002                         | Headrail Light Block Strip            | 23.  | 1043178                      | Barrel connector pigtail (for non-IRB only)           |
| 2.         |                                    | Headrail                              | 24.  | 1046903                      | FCC Label   |
| 3.         |                                    | LH Headrail End Cap                   | 25.  | 1046932                      | 1 1/4" Adapter Plate (1 1/4" only)                    |
| 4.         |                                    | RH Headrail End Cap Assembly          | <b>Shades with IRB</b>   |                              |   |
| 5.         | 1036011                            | End Cap Twist Lock, 3/4" & 1 1/4"     | 26.  | 1037259                      | Internal Rechargeable Battery pack, Full Charge, 24CT |
| 6.         | 2780478000                         | Clutch Lock, 3/8" only                | 27.  | PV IRB Tsukasa Lens          |   |
| 7.         | 1037410                            | PVG3Tsukasa Main Motor                |  | 1047844                      | 3/4"  |
| 8.         | 2770004000                         | V-Shaft (steel)                       |  | 1047845                      | 1 1/4"  |
| 9.         | Screw Shaft Retainer               |                                       | 28.  | PV IRB Shipping Clip, Orange |   |
|            | 1040390                            | Standard spool screw                  |  | 1048871                      | 3/4"  |
|            | 1046378                            | Long drop spool screw                 |  | 1048872                      | 1 1/4"  |
| 9.         | Lift Spool                         |                                       | 29.  | 1049236                      | PV IRB Adapter Clip, 1 1/4", Natural                  |
|            | 1019884                            | Standard (gray)                       | 30.  | 1049057                      | Y-Cable Solar Adapter                                 |
|            | 1021054                            | Long Drop (gray)                      | 31.  |                              | PV IRB End Caps                                       |
| 10.        | Lift Spool Support                 |                                       | <b>Shades with AOS ONLY</b>  |                              |   |
|            | 2780033000                         | Standard                              | 32.  | 2970035000                   | 3/4" Magnet Strip with Foam                           |
|            | 2780105000                         | Long Drop                             | <b>Shades with LightLock® or Hold-Down Brackets</b>                    |                              |   |
| 11.        | 2930130000                         | Washer                                | 33.  | KIT2777                      | Hold-Down Magnet Assembly                             |
| 12.        | 1003020                            | Cord, 0.9mm, White                    | <b>Not Shown</b>   |                              |   |
| 13.        | N/A                                | Fabric                                |  |                              | Weights (Optional)                                    |
| 14.        | TDBU Insert                        |                                       |  |                              | 2982129000 3"   |
| 15.        | Bottom Rail                        |                                       |  |                              | 2982128000 6"   |
| 16.        | Bottom Rail End Cap                |                                       |  |                              | 1049085 Ship Mode Sticker                             |
| 17.        | 2780923000                         | EasyAdjust Pocket Cover (4000/carton) | XXX = 3-digit color code   |                              |   |
| 18.        |                                    | Pocket, Low-Profile                   | <b>Duette Only: LightLock®.</b>  |                              |   |
| 19.        | EasyAdjust Assembly                |                                       | <b>Note:</b> For LightLock see the LightLock product component guides. |                              |   |
|            | 1046406                            | 3/8", 3/4"                            |  |                              |   |
|            | 1046405                            | 1 1/4"                                |  |                              |   |
| 20.        | Filler Strip                       |                                       |  |                              |   |
|            | 2954000000                         | 3/8"                                  |  |                              |   |
|            | 1000002                            | 3/4"                                  |  |                              |   |
|            | 2971311000                         | 1 1/4"                                |  |                              |   |
| 21.        | 2911677000                         | PV SMM Fabric Lock Pin                |  |                              |   |
| 22.        | PV Tsukasa Lens (for non-IRB only) |                                       |  |                              |   |
|            | 1046379                            | 3/4"                                  |  |                              |   |
|            | 1046380                            | 1 1/4"                                |  |                              |   |